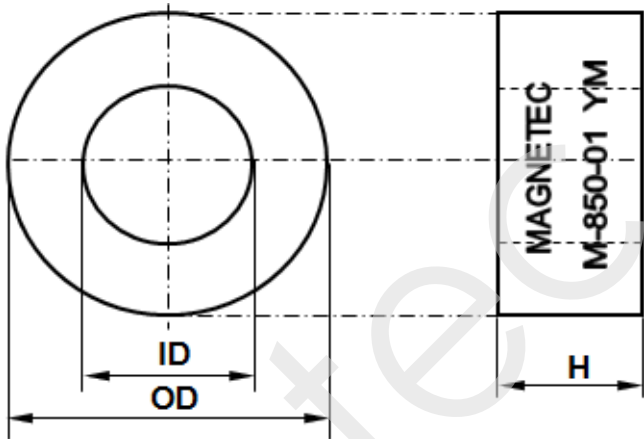


CONFIDENTIAL - Reproduction, publication and dissemination of this publication, enclosures hereto and the information contained therein is prohibited without MAGNETEC's prior written consent.

Client:	MAGNETEC	Magnetec P/N:	M-850		
Client's P/N:	/	PS Index:	01	PS Revision:	03
Subject:	EMC Wandler				

1. Mechanical Outline	
Nominal equivalent round core: 24 x 19 x 10 Finished product dimensions: OD \leq 25,5 ID \geq 17,5 H \leq 11,2 [dimensions] = mm	

2. Core data (nominal values)			
Core material:	NANOPERM®	$L_{Fe} = 6,72 \text{ cm}$	$A_{Fe} = 0,175 \text{ cm}^2$
Permeability level:	ca. 90.000	@ frequency 10 kHz	@ H peak 3,0 mA/cm

3. Inspection values (at room temperature, unless otherwise stated)			
Measured value	Measurement limits	Frequency	leff x N [mA x turn]
AL [μH]	21,5 - 43,0	10 kHz	14,2

4. Core finishing	
Type:	Epoxy coated
Marking:	MAGNETEC M-850-01 YM (YM = Year/Month), acc. to IEC 62 5.1
Packaging:	75 pcs. per layer; 7 layers per carton box; PU = 525 pcs.

5. Comments	
Visit http://www.magnetec.de/fileadmin/pdf/pb_ds.pdf for further information.	

Index / Revision	Alteration	Date
01 / 01	Product Specification	07.02.2013
01 / 02	Marking on the side	27.02.2013
01 / 03	AFe and lFe corrected	15.08.2013

Created:	Z. Palánki 15.08.2013	Approved (Techn):	F. Záborszky 02.09.2013	Approved (Quality):	J. Gulyás 02.09.2013	Released:	T. Trupp 02.09.2013
-----------------	--------------------------	--------------------------	----------------------------	----------------------------	-------------------------	------------------	------------------------

CONFIDENTIAL - Reproduction, publication and dissemination of this publication, enclosures hereto and the information contained therein is prohibited without MAGNETEC's prior written consent. Disclosing the specification to third parties or using its content without written permission from MAGNETEC is strictly forbidden and every offender is liable to pay the corresponding damages.