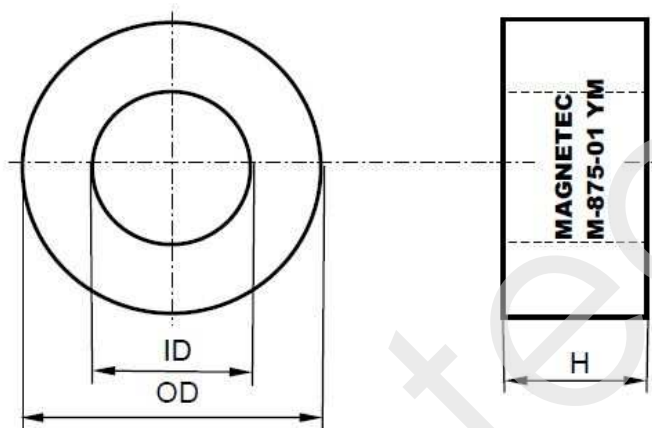


CONFIDENTIAL - Reproduction, publication and dissemination of this publication, enclosures hereto and the information contained therein is prohibited without MAGNETEC's prior written consent.

Client:	Magnetec	Magnetec P/N:	M-875		
Client's P/N:	/	PS Index:	01	PS Revision:	01
Subject:	CT Wandler				

1. Mechanical Outline	
Nominal equivalent round core: 12,5 x 10 x 5 Finished product dimensions: OD \leq 13,5 ID \geq 8,5 H \leq 6,0 [dimensions] = mm	

2. Core data (nominal values)			
Core material:	NANOPERM®	$L_{Fe} = 3,50 \text{ cm}$	$A_{Fe} = 0,05 \text{ cm}^2$
Permeability level:	ca. 180.000	@ frequency 50 Hz	@ H peak 4,0 mA/cm

3. Inspection values (at room temperature, unless otherwise stated)			
Measured value	Measurement limits	Frequency	$l_{eff} \times N$ [mA x turn]
AL [μH]	20 - 40	50 Hz	10

4. Core finishing	
Type:	Epoxy coated
Marking:	MAGNETEC M-875-01 YM (YM = Year/Month), acc. to IEC 60062 6.1.1
Packaging:	110 pcs. per layer; 10 layers per carton box; PU = 1100 pcs.

5. Comments	
Visit http://www.magnetec.de/fileadmin/pdf/pb_ds.pdf for further information.	

Index / Revision	Alteration	Date
01 / 01	First issue	07.04.2014

Created:	D. Tóth 07.04.2014	Approved (Techn):	Z. Palánki 14.04.2014	Approved (Quality):	J. Gulyás	Released:	H. Doenges
-----------------	-----------------------	--------------------------	--------------------------	----------------------------	-----------	------------------	------------

CONFIDENTIAL - Reproduction, publication and dissemination of this publication, enclosures hereto and the information contained therein is prohibited without MAGNETEC's prior written consent. Disclosing the specification to third parties or using its content without written permission from MAGNETEC is strictly forbidden and every offender is liable to pay the corresponding damages.