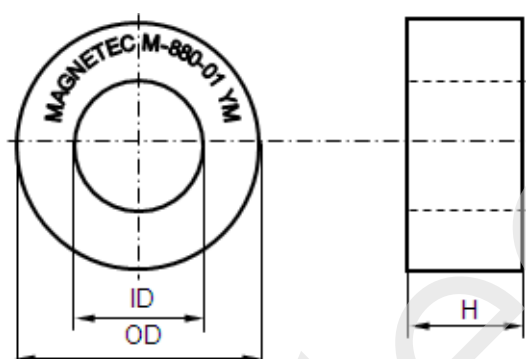


CONFIDENTIAL - Reproduction, publication and dissemination of this publication, enclosures hereto and the information contained therein is prohibited without MAGNETEC's prior written consent.

Client:	MAGNETEC GmbH	Magnetec P/N:	M-880		
Client's P/N:	/	PS Index:	01	PS Revision:	01
Subject:	CT Wandler				

1. Mechanical Outline	
Nominal equivalent round core: 21,5 x 18 x 6 Finished product dimensions: OD \leq 22,9 ID \geq 16,8 H \leq 7,7 [dimensions] = mm	

2. Core data (nominal values)			
Core material:	NANOPERM®	$L_{Fe} = 6,19 \text{ cm}$	$A_{Fe} = 0,08 \text{ cm}^2$
Permeability level:	1.600	@ frequency 1 kHz	@ H peak 23 mA/cm

3. Inspection values (at room temperature, unless otherwise stated)			
Measured value	Measurement limits	Frequency	$l_{eff} \times N$ [mA x turn]
AL [nH]	219 - 293	1 kHz	100

4. Core finishing	
Type:	Cased
Marking:	MAGNETEC M-880-01 YM (YM = Year/Month), acc. to IEC 62 5.1
Packaging:	pcs. per layer; layers per carton box; PU = pcs.

5. Comments	
Visit http://www.magnetec.de/fileadmin/pdf/pb_ds.pdf for further information.	

Index / Revision	Alteration	Date
01 / 01	Product specification	02.07.2012

Created:	Zs. Sándor 02.07.2012	Approved (Techn):	F. Zámboreszky 02.07.2012	Approved (Quality):	J. Gulyás 02.07.2012	Released:	H. Doenges 02.07.2012
-----------------	--------------------------	--------------------------	------------------------------	----------------------------	-------------------------	------------------	--------------------------

CONFIDENTIAL - Reproduction, publication and dissemination of this publication, enclosures hereto and the information contained therein is prohibited without MAGNETEC's prior written consent. Disclosing the specification to third parties or using its content without written permission from MAGNETEC is strictly forbidden and every offender is liable to pay the corresponding damages.