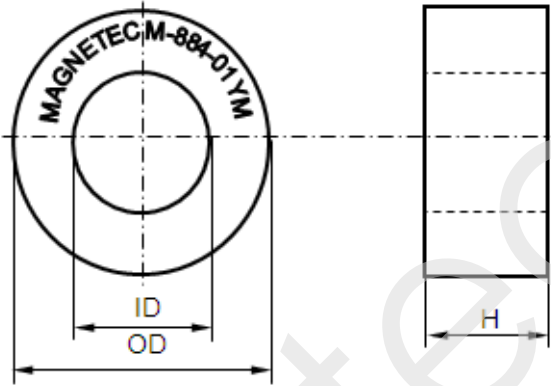


CONFIDENTIAL - Reproduction, publication and dissemination of this publication, enclosures hereto and the information contained therein is prohibited without MAGNETEC's prior written consent.

Client:	MAGNETEC	Magnetec P/N:	M-884		
Client's P/N:	/	PS Index:	01	PS Revision:	01
Subject:	CT Wandler				

1. Mechanical Outline	
Nominal equivalent round core: 32 x 26,5 x 6 Finished product dimensions: OD \leq 34,1 ID \geq 24,8 H \leq 8,1 [dimensions] = mm	

2. Core data (nominal values)			
Core material:	NANOPERM®	$L_{Fe} = 9,16 \text{ cm}$	$A_{Fe} = 0,12 \text{ cm}^2$
Permeability level:	2.000	@ frequency 1 kHz	@ H peak 15,5 mA/cm

3. Inspection values (at room temperature, unless otherwise stated)			
Measured value	Measurement limits	Frequency	$l_{eff} \times N$ [mA x turn]
AI [nH]	305 - 373	1 kHz	100

4. Core finishing	
Type:	Cased
Marking:	MAGNETEC M-884-01 YM (Y = year / M = month)
Packaging:	pcs. per layer; layers per carton box; PU = pcs.

5. Comments
Visit http://www.magnetec.de/fileadmin/pdf/pb_ds.pdf for further information.

Index / Revision	Alteration	Date
01 / 01	Product specification	28.04.2011

Created:	Zs. Sándor 28.04.2011	Approved (Techn):	F. Zámboreszky 28.04.2011	Approved (Quality):	V. Káposztas 28.04.2011	Released:	H. Doenges 28.04.2011
-----------------	--------------------------	--------------------------	------------------------------	----------------------------	----------------------------	------------------	--------------------------

CONFIDENTIAL - Reproduction, publication and dissemination of this publication, enclosures hereto and the information contained therein is prohibited without MAGNETEC's prior written consent. Disclosing the specification to third parties or using its content without written permission from MAGNETEC is strictly forbidden and every offender is liable to pay the corresponding damages.