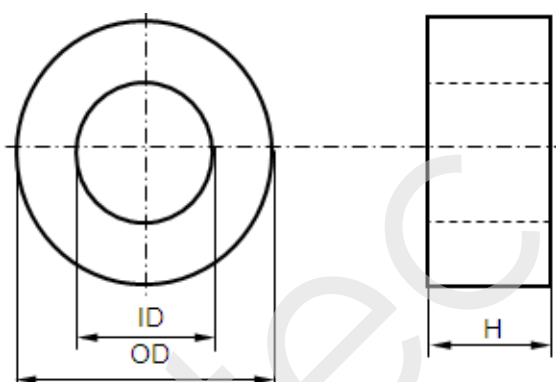


CONFIDENTIAL - Reproduction, publication and dissemination of this publication, enclosures hereto and the information contained therein is prohibited without MAGNETEC's prior written consent.

Client:	MAGNETEC GmbH	Magnetec P/N:	M-888		
Client's P/N:	/	PS Index:	01	PS Revision:	02
Subject:	CT Wandler				

1. Mechanical Outline	
Nominal equivalent round core: 25 x 20,1 x 6 Finished product dimensions: OD \leq 26,5 ID \geq 18,8 H \leq 7,8 [dimensions] = mm	

2. Core data (nominal values)			
Core material:	NANOPERM®	$L_{Fe} = 7,06 \text{ cm}$	$A_{Fe} = 0,11 \text{ cm}^2$
Permeability level:	1.600	@ frequency 1 kHz	@ H peak 25 mA/cm

3. Inspection values (at room temperature, unless otherwise stated)			
Measured value	Measurement limits	Frequency	$l_{eff} \times N$ [mA x turn]
AI [nH]	294 - 333	1 kHz	125

4. Core finishing	
Type:	Cased
Marking:	none
Packaging:	63 pcs. per layer; 9 layers per carton box; PU = 567 pcs.

5. Comments	
5 % measurement deviation has to be considered.	
Visit http://www.magnetec.de/fileadmin/pdf/pb_ds.pdf for further information.	

Index / Revision	Alteration	Date
01 / 01	Product Specification	20.07.2011
01 / 02	Add one sentence to the comments	01.02.2019

Created:	Z. Braxátor 01.02.2019	Approved (Techn):	F. Záborszky 12.02.2019	Approved (Quality):	G. Zsák 12.02.2019	Released:	P. Seiz 14.03.2019
-----------------	---------------------------	--------------------------	----------------------------	----------------------------	-----------------------	------------------	-----------------------

CONFIDENTIAL - Reproduction, publication and dissemination of this publication, enclosures hereto and the information contained therein is prohibited without MAGNETEC's prior written consent. Disclosing the specification to third parties or using its content without written permission from MAGNETEC is strictly forbidden and every offender is liable to pay the corresponding damages.