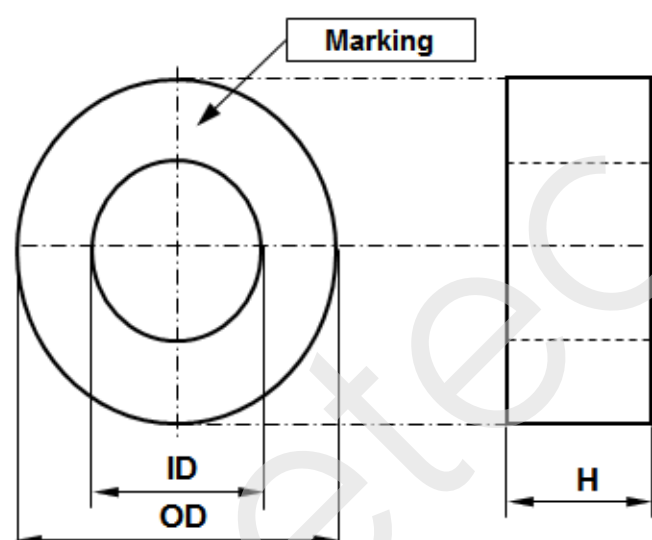


CONFIDENTIAL - Reproduction, publication and dissemination of this publication, enclosures hereto and the information contained therein is prohibited without MAGNETEC's prior written consent.

Client:	MAGNETEC	Magnetec P/N:	M-894		
Client's P/N:	/	PS Index:	01	PS Revision:	01
Subject:	EMC Wandler				

1. Mechanical Outline	
Nominal equivalent round core: 132 x 73 x 25 Finished product dimensions: OD ≤ 137 ID ≥ 68 H ≤ 28,5 [dimensions] = mm	

2. Core data (nominal values)			
Core material:	NANOPERM®	$L_{Fe} = 31,3 \text{ cm}$	$A_{Fe} = 5,46 \text{ cm}^2$
Permeability level:	30 000	@ frequency 10 kHz	@ H peak 3 mA/cm

3. Inspection values (at room temperature, unless otherwise stated)			
Measured value	Measurement limits	Frequency	$I_{eff} \times N$ [mA x turn]
AL [μH]	46 - 92	10 kHz	66
AL [μH]	30 - NA	100 kHz	66
PFe [W/core]	0 - 12	15 kHz	B_{max}=500mT

4. Core finishing	
Type:	Epoxy coated
Marking:	MAGNETEC M-894-01 YM (YM = Year/Month), acc. to IEC 60062 6.1.1
Packaging:	1 pcs. per layer; 5 layers per carton box; PU = 5 pcs.

5. Comments
 Visit http://www.magnetec.de/fileadmin/pdf/pb_ds.pdf for further information.

Index / Revision	Alteration	Date
01 / 01	First issue	16.10.2015

Created:	Z. Palánki 16.10.2015	Approved (Techn):	F. Zámbořszky 28.10.2015	Approved (Quality):	J. Gulyás 28.10.2015	Released:	T. Trupp 28.10.2015
-----------------	--------------------------	--------------------------	-----------------------------	----------------------------	-------------------------	------------------	------------------------

CONFIDENTIAL - Reproduction, publication and dissemination of this publication, enclosures hereto and the information contained therein is prohibited without MAGNETEC's prior written consent. Disclosing the specification to third parties or using its content without written permission from MAGNETEC is strictly forbidden and every offender is liable to pay the corresponding damages.