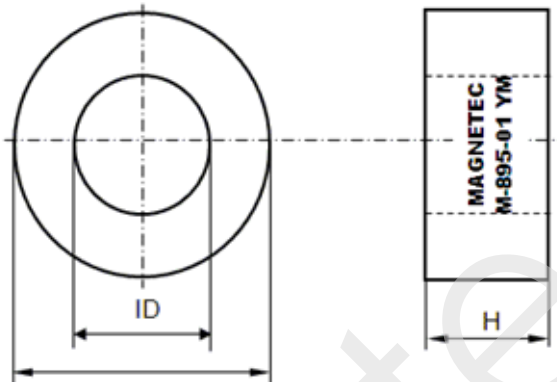


CONFIDENTIAL - Reproduction, publication and dissemination of this publication, enclosures hereto and the information contained therein is prohibited without MAGNETEC's prior written consent.

Client:	MAGNETEC	Magnetec P/N:	M-895		
Client's P/N:	/	PS Index:	01	PS Revision:	01
Subject:	CT Wandler				

1. Mechanical Outline	
Nominal equivalent round core: 11 x 7 x 5 Finished product dimensions: OD ≤ 12,5 ID ≥ 5,5 H ≤ 6,2 [dimensions] = mm	

2. Core data (nominal values)			
Core material:	NANOPERM®	$L_{Fe} = 2,8 \text{ cm}$	$A_{Fe} = 0,07 \text{ cm}^2$
Permeability level:	ca. 30 000	@ frequency 10 kHz	@ H peak 2,5 mA/cm

3. Inspection values (at room temperature, unless otherwise stated)			
Measured value	Measurement limits	Frequency	$l_{eff} \times N$ [mA x turn]
AL [μH]	6,9 - 13,9	10 kHz	5,0

4. Core finishing	
Type:	Epoxy coated
Marking:	MAGNETEC M-895-01 YM (YM = Year/Month), acc. to IEC 62 5.1
Packaging:	128 pcs. per layer; 10 layers per carton box; PU = 1280 pcs.

5. Comments	
Similar as Magnetec A / N 12490, but different coating material . Visit http://www.magnetec.de/fileadmin/pdf/pb_ds.pdf for further information.	

Index / Revision	Alteration	Date
01 / 01	Product Specification	08.07.2013

Created:	Zs. Sándor 08.07.2013	Approved (Techn):	F. Záborszky 15.07.2013	Approved (Quality):	J. Gulyás 16.07.2013	Released:	F. Rauscher 16.07.2013
-----------------	--------------------------	--------------------------	----------------------------	----------------------------	-------------------------	------------------	---------------------------

CONFIDENTIAL - Reproduction, publication and dissemination of this publication, enclosures hereto and the information contained therein is prohibited without MAGNETEC's prior written consent. Disclosing the specification to third parties or using its content without written permission from MAGNETEC is strictly forbidden and every offender is liable to pay the corresponding damages.