

CONFIDENTIAL - Reproduction, publication and dissemination of this publication, enclosures hereto and the information contained therein is prohibited without MAGNETEC's prior written consent.

Client:	MAGNETEC GmbH	Magnetec P/N:	M-899		
Client's P/N:	/	PS Index:	01	PS Revision:	01
Subject:	CT Wandler				

1. Mechanical Outline

Nominal equivalent round core:

29 x 17 x 7

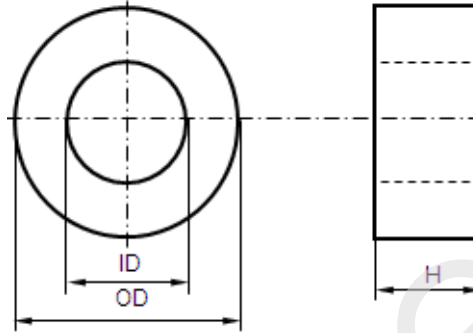
Finished product dimensions:

OD \leq **30,7**

ID \geq **15,3**

H \leq **8,8**

[dimensions] = mm



2. Core data (nominal values)

Core material:

NANOPERM®

$L_{Fe} = 7,05$ cm

$A_{Fe} = 0,31$ cm²

Permeability level:

> 150.000

@ frequency

50 Hz

@ H peak

8 mA/cm

3. Inspection values (at room temperature, unless otherwise stated)

Measured value	Measurement limits	Frequency	leff x N [mA x turn]
AL_s [μH]	85 - NA	50 Hz	40
R_s [mOhm]	0 - 3	50 Hz	40

4. Core finishing

Type:

Cased

Marking:

None

Packaging:

- pcs. per layer; - layers per carton box; PU = - pcs.

5. Comments

Visit http://www.magnetec.de/fileadmin/pdf/pb_ds.pdf for further information.

Index / Revision	Alteration	Date
01 / 01	Product Specification	14.04.2014

Created:	Zs. Sándor 14.04.2014	Approved (Techn):	F. Zámboreszky 14.04.2014	Approved (Quality):	J. Gulyás 14.04.2014	Released:	H. Doenges 14.04.2014
-----------------	--------------------------	--------------------------	------------------------------	----------------------------	-------------------------	------------------	--------------------------

CONFIDENTIAL - Reproduction, publication and dissemination of this publication, enclosures hereto and the information contained therein is prohibited without MAGNETEC's prior written consent. Disclosing the specification to third parties or using its content without written permission from MAGNETEC is strictly forbidden and every offender is liable to pay the corresponding damages.