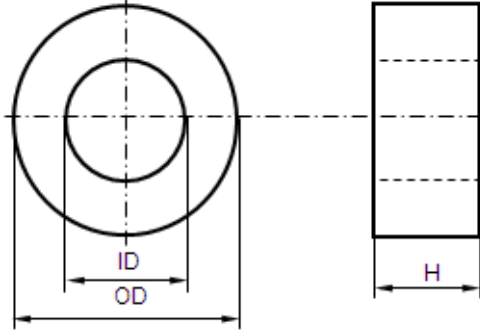


CONFIDENTIAL - Reproduction, publication and dissemination of this publication, enclosures hereto and the information contained therein is prohibited without MAGNETEC's prior written consent.

Client:	MAGNETEC	Magnetec P/N:	M-911		
Client's P/N:	/	PS Index:	01	PS Revision:	03
Subject:	CT Wandler				

1. Mechanical Outline	
Nominal equivalent round core: 22 x 18 x 5 Finished product dimensions: OD \leq 24,2 ID \geq 15,8 H \leq 7,2 [dimensions] = mm	

2. Core data (nominal values)			
Core material:	NANOPERM®	$L_{Fe} = 6,26 \text{ cm}$	$A_{Fe} = 0,07 \text{ cm}^2$
Permeability level:	ca.120.000	@ frequency 50 Hz	@ H peak 29 mA/cm

3. Inspection values (at room temperature, unless otherwise stated)			
Measured value	Measurement limits	Frequency	$l_{eff} \times N$ [mA x turn]
AL [μH]	20 - 30	50 Hz	128

4. Core finishing	
Type:	Cased
Marking:	None
Packaging:	- pcs. per layer; - layers per carton box; PU = - pcs.

5. Comments
- Visit http://www.magnetec.de/fileadmin/pdf/pb_ds.pdf for further information.

Index / Revision	Alteration	Date
01 / 01	First issue	27.05.2014
01 / 02	Measurement change	04.12.2014
01 / 03	Name change	03.02.2015

Created:	D. Tóth 03.02.2015	Approved (Techn):	F. Zámbořský 13.02.2015	Approved (Quality):	J. Gulyás 13.02.2015	Released:	H. Doenges 13.02.2015
-----------------	-----------------------	--------------------------	----------------------------	----------------------------	-------------------------	------------------	--------------------------

CONFIDENTIAL - Reproduction, publication and dissemination of this publication, enclosures hereto and the information contained therein is prohibited without MAGNETEC's prior written consent. Disclosing the specification to third parties or using its content without written permission from MAGNETEC is strictly forbidden and every offender is liable to pay the corresponding damages.