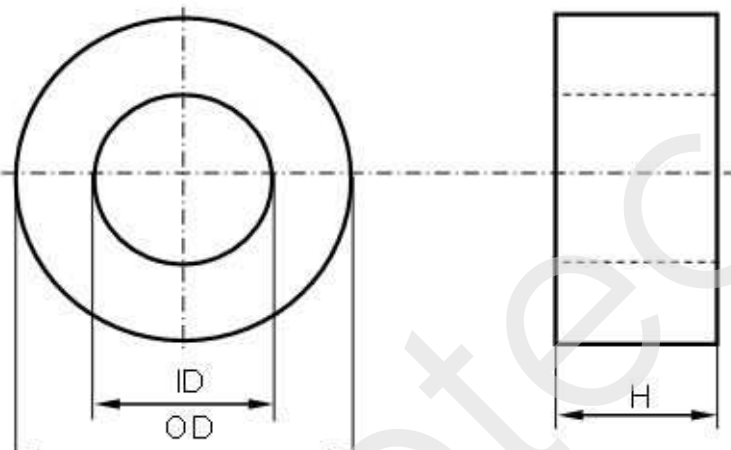


CONFIDENTIAL - Reproduction, publication and dissemination of this publication, enclosures hereto and the information contained therein is prohibited without MAGNETEC 's prior written consent.

Client:	MAGNETEC	Magnetec P/N:	M-924		
Client's P/N:	M-924	PS Index:	01	PS Revision:	04
Subject:	CT Wandler				

1. Mechanical Outline	
Nominal equivalent round core: 17,5 x 10 x 7 Finished product dimensions: OD ≤ 18,4 ID ≥ 8,9 H ≤ 8 [dimensions] = mm	

2. Core data (nominal values)			
Core material:	NANOPERM®	$L_{Fe} = 4,19 \text{ cm}$	$A_{Fe} = 0,21 \text{ cm}^2$
Permeability level:	~ 165000	@ frequency 50 Hz	@ H peak 1 mA/cm

3. Inspection values (at room temperature, unless otherwise stated)			
Measured value	Measurement limits	Frequency	$l_{eff} \times N$ [mA x turn]
AL [μH]	NA - 125,32	50 Hz	1,95
AL [μH]	65,67 - NA	50 Hz	3,9
AL [μH]	NA - 156,81	50 Hz	15,9
AL [μH]	98,19 - NA	50 Hz	25,8

4. Core finishing	
Type:	Epoxy coated
Marking:	None
Packaging:	324 pcs. per layer; 3 layers per carton box; PU = 972 pcs.

5. Comments
Visit http://www.magnetec.de/fileadmin/pdf/pb_ds.pdf for further information.

Index / Revision	Alteration	Date
01 / 01	First issue	11.07.2016
01 / 02	The measurement limits are changed.	2020.05.27
01 / 03	Packaging defined	2022.06.20
01 / 04	Excitation and limit change	2023.05.23

Created:	Z. Palánki 23.05.2023	Approved (Techn):	V. Kiss 30.05.2023	Approved (Quality):	D. Parragi 31.05.2023	Released:	D. Tóth 01.06.2023
-----------------	--------------------------	--------------------------	-----------------------	----------------------------	--------------------------	------------------	-----------------------

CONFIDENTIAL - Reproduction, publication and dissemination of this publication, enclosures hereto and the information contained therein is prohibited without MAGNETEC's prior written consent. Disclosing the specification to third parties or using its content without written permission from MAGNETEC is strictly forbidden and every offender is liable to pay the corresponding damages.