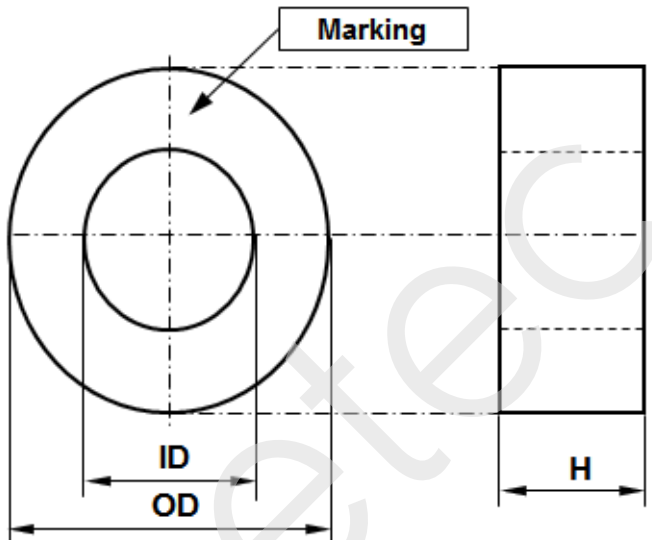


CONFIDENTIAL - Reproduction, publication and dissemination of this publication, enclosures hereto and the information contained therein is prohibited without MAGNETEC's prior written consent.

<b>Client:</b>	<b>MAGNETEC</b>	<b>Magnetec P/N:</b>	<b>M-946</b>		
<b>Client's P/N:</b>	/	<b>PS Index:</b>	<b>01</b>	<b>PS Revision:</b>	<b>03</b>
<b>Subject:</b>	<b>EMC Wandler</b>				

1. Mechanical Outline	
Nominal equivalent round core:  <b>32,7 x 21,2 x 15</b>  Finished product dimensions:  OD $\leq 35,2 \pm 0,2$ ID $\geq 18,7 \pm 0,2$ H $\leq 17,5 \pm 0,2$  [dimensions] = mm	

2. Core data (nominal values)			
Core material:	<b>NANOPERM®</b>	$L_{Fe} = 8,34 \text{ cm}$	$A_{Fe} = 0,63 \text{ cm}^2$
Permeability level:	ca. 90 000	@ frequency 10 kHz	@ H peak 3 mA/cm

3. Inspection values (at room temperature, unless otherwise stated)			
Measured value	Measurement limits	Frequency	$I_{eff} \times N$ [mA x turn]
<b>AL1 [μH]</b>	<b>60 - 120</b>	<b>10 kHz</b>	<b>17,6</b>
<b>AL2 [μH]</b>	<b>15,7 - NA</b>	<b>100 kHz</b>	<b>17,6</b>

4. Core finishing	
Type:	<b>Glued into case</b>
Marking:	<b>MAGNETEC M-946-01 YM (YM = Year/Month), acc. to IEC 60062 6.1.1</b>
Packaging:	<b>35 pcs. per layer; 4 layers per carton box; PU = 140 pcs.</b>

**5. Comments**  
 Visit [http://www.magnetec.de/fileadmin/pdf/pb\\_ds.pdf](http://www.magnetec.de/fileadmin/pdf/pb_ds.pdf) for further information.

Index / Revision	Alteration	Date
01 / 01	First issue	17.11.2015
01 / 02	Packaging unit changed	07.12.2015
01 / 03	Fixation type changed	08.12.2015

<b>Created:</b>	Z. Palánki 08.12.2015	<b>Approved (Techn):</b>	F. Záborszky 08.12.2015	<b>Approved (Quality):</b>	J. Gulyás 08.12.2015	<b>Released:</b>	F. Heider 08.12.2015
-----------------	--------------------------	--------------------------	----------------------------	----------------------------	-------------------------	------------------	-------------------------

CONFIDENTIAL - Reproduction, publication and dissemination of this publication, enclosures hereto and the information contained therein is prohibited without MAGNETEC's prior written consent. Disclosing the specification to third parties or using its content without written permission from MAGNETEC is strictly forbidden and every offender is liable to pay the corresponding damages.