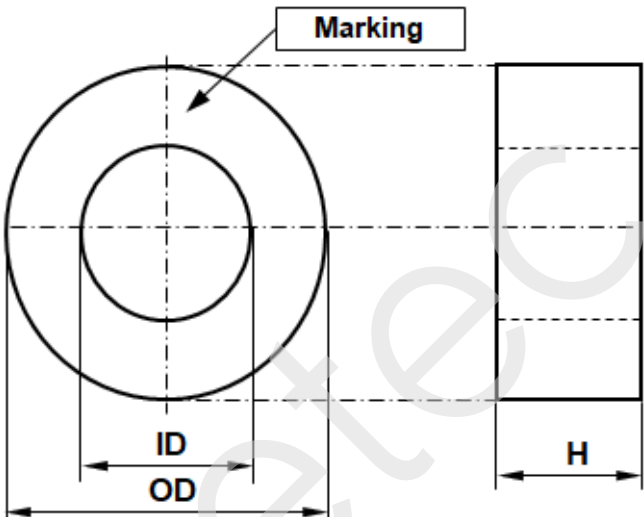


CONFIDENTIAL - Reproduction, publication and dissemination of this publication, enclosures hereto and the information contained therein is prohibited without MAGNETEC's prior written consent.

<b>Client:</b>	<b>Magnetec</b>	<b>Magnetec P/N:</b>	<b>M-955</b>		
<b>Client's P/N:</b>	/	<b>PS Index:</b>	<b>01</b>	<b>PS Revision:</b>	<b>02</b>
<b>Subject:</b>	<b>CT Wandler</b>				

1. Mechanical Outline	
Nominal equivalent round core:  <b>58 x 52 x 6</b>  Finished product dimensions:  OD ≤ <b>60,8</b> ID ≥ <b>49,4</b> H ≤ <b>8,2</b>  [dimensions] = mm	

2. Core data (nominal values)			
Core material:	<b>NANOPERM®</b>	$L_{Fe} = 17,25 \text{ cm}$	$A_{Fe} = 0,14 \text{ cm}^2$
Permeability level:	<b>2.000</b>	@ frequency <b>1 kHz</b>	@ H peak <b>25 mA/cm</b>

3. Inspection values (at room temperature, unless otherwise stated)			
Measured value	Measurement limits	Frequency	Ieff x N [mA x turn]
<b>AL [nH]</b>	<b>170 - 230</b>	<b>1 kHz</b>	<b>150</b>
<b>AL [nH]</b>	<b>170 - 230</b>	<b>1 kHz</b>	<b>300</b>
<b>AL [nH]</b>	<b>170 - 230</b>	<b>1 kHz</b>	<b>600</b>

4. Core finishing	
Type:	<b>Cased</b>
Marking:	<b>MAGNETEC M-955-01 YM (YM = Year/Month), acc. to IEC 60062:2004 6.1.1</b>
Packaging:	<b>16 pcs. per layer; 12 layers per carton box; PU = 192 pcs.</b>

**5. Comments**  
 Visit [http://www.magnetec.de/fileadmin/pdf/pb\\_ds.pdf](http://www.magnetec.de/fileadmin/pdf/pb_ds.pdf) for further information.

Index / Revision	Alteration	Date
01 / 01	First issue	22.07.2021
01 / 02	OD and ID limits corrected	01.10.2021
01 / 03	Packaging improvement with processing customer feedback about test package	01.03.2022

<b>Created:</b>	F. Zámboreszky 01.03.2022	<b>Approved (Techn):</b>	Z. Kiss 20.06.2022	<b>Approved (Quality):</b>	A. Magyar Szabóné 24.06.2022	<b>Released:</b>	V. Kiss
-----------------	------------------------------	--------------------------	-----------------------	----------------------------	---------------------------------	------------------	---------

CONFIDENTIAL - Reproduction, publication and dissemination of this publication, enclosures hereto and the information contained therein is prohibited without MAGNETEC's prior written consent. Disclosing the specification to third parties or using its content without written permission from MAGNETEC is strictly forbidden and every offender is liable to pay the corresponding damages.