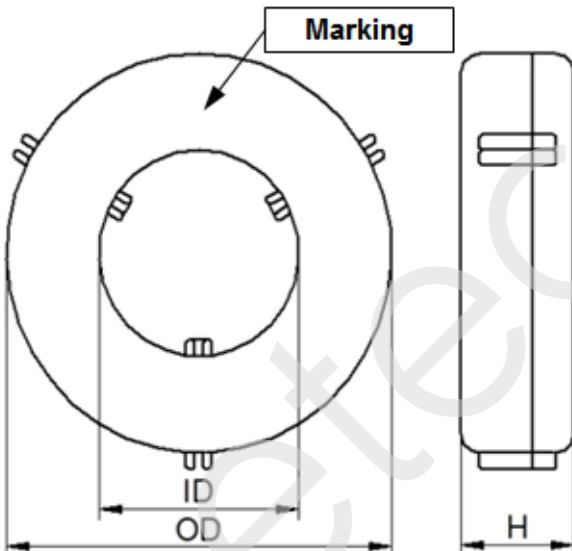


CONFIDENTIAL - Reproduction, publication and dissemination of this publication, enclosures hereto and the information contained therein is prohibited without MAGNETEC's prior written consent.

Client:	MAGNETEC	Magnetec P/N:	M-958		
Client's P/N:	/	PS Index:	01	PS Revision:	02
Subject:	EMC Wandler				

1. Mechanical Outline	
Nominal equivalent round core: 80 x 50,2 x 20 Finished product dimensions: OD ≤ 86 ID ≥ 44 H ≤ 26 [dimensions] = mm	

2. Core data (nominal values)			
Core material:	NANOPERM®	$L_{Fe} = 20,1 \text{ cm}$	$A_{Fe} = 2,06 \text{ cm}^2$
Permeability level:	5 000	@ frequency 10 kHz	@ H peak 3 mA/cm

3. Inspection values (at room temperature, unless otherwise stated)			
Measured value	Measurement limits	Frequency	$I_{eff} \times N$ [mA x turn]
AL [μH]	5,37 - 8,38	10 kHz	42,5
AL [μH]	5,15 - NA	100 kHz	42,5

4. Core finishing	
Type:	Glued into case
Marking:	MAGNETEC M-958-01 YM (YM = Year/Month), acc. to IEC 60062 6.1.1
Packaging:	5 pcs. per layer; 3 layers per carton box; PU = 15 pcs.

5. Comments	
Visit http://www.magnetec.de/fileadmin/pdf/pb_ds.pdf for further information.	

Index / Revision	Alteration	Date
01 / 01	First issue	06.11.2015
01 / 02	Corrected finishing type	26.05.2017

Created:	M. Pádár 26.05.2017	Approved (Techn):	F. Zámbořszky 01.06.2017	Approved (Quality):	G. Zsák 01.06.2017	Released:	T. Trupp 01.06.2017
-----------------	------------------------	--------------------------	-----------------------------	----------------------------	-----------------------	------------------	------------------------

CONFIDENTIAL - Reproduction, publication and dissemination of this publication, enclosures hereto and the information contained therein is prohibited without MAGNETEC's prior written consent. Disclosing the specification to third parties or using its content without written permission from MAGNETEC is strictly forbidden and every offender is liable to pay the corresponding damages.