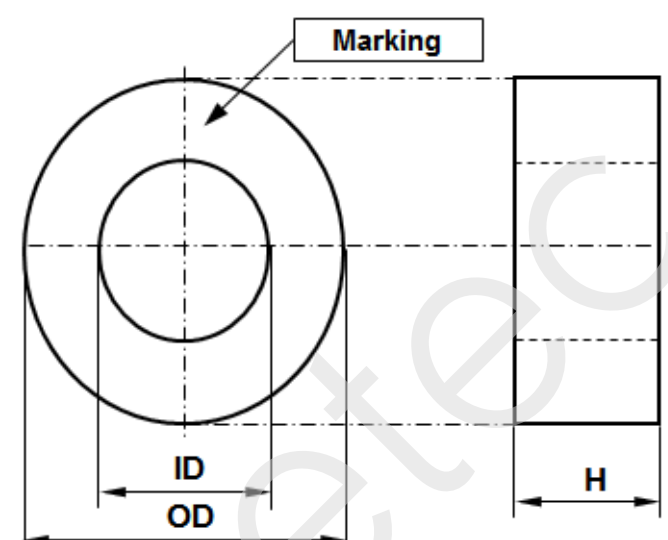


CONFIDENTIAL - Reproduction, publication and dissemination of this publication, enclosures hereto and the information contained therein is prohibited without MAGNETEC's prior written consent.

Client:	MAGNETEC	Magnetec P/N:	M-994		
Client's P/N:	/	PS Index:	01	PS Revision:	01
Subject:	EMC Wandler				

1. Mechanical Outline	
Nominal equivalent round core: 40 x 32 x 15 Finished product dimensions: OD \leq 43,1 ID \geq 28,8 H \leq 17,4 [dimensions] = mm	

2. Core data (nominal values)			
Core material:	NANOPERM®	$L_{Fe} = 11,2 \text{ cm}$	$A_{Fe} = 0,44 \text{ cm}^2$
Permeability level:	30.000	@ frequency 10 kHz	@ H peak 3 mA/cm

3. Inspection values (at room temperature, unless otherwise stated)			
Measured value	Measurement limits	Frequency	$I_{eff} \times N$ [mA x turn]
AL [μH]	10,4 - 20,8	10 kHz	24
AL [μH]	6,8 - NA	100 kHz	24

4. Core finishing	
Type:	Cased
Marking:	MAGNETEC M-994-01 YM (YM = Year/Month), acc. to IEC 60062 6.1.1
Packaging:	24 pcs. per layer; 5 layers per carton box; PU = 120 pcs.

5. Comments
Visit http://www.magnetec.de/fileadmin/pdf/pb_ds.pdf for further information.

Index / Revision	Alteration	Date
01 / 01	First issue	23.06.2015

Created:	Z. Palánki 23.06.2015	Approved (Techn):	F. Záborszky 25.06.2015	Approved (Quality):	J. Gulyás 25.06.2015	Released:	T. Trupp 25.06.2015
-----------------	--------------------------	--------------------------	----------------------------	----------------------------	-------------------------	------------------	------------------------

CONFIDENTIAL - Reproduction, publication and dissemination of this publication, enclosures hereto and the information contained therein is prohibited without MAGNETEC's prior written consent. Disclosing the specification to third parties or using its content without written permission from MAGNETEC is strictly forbidden and every offender is liable to pay the corresponding damages.