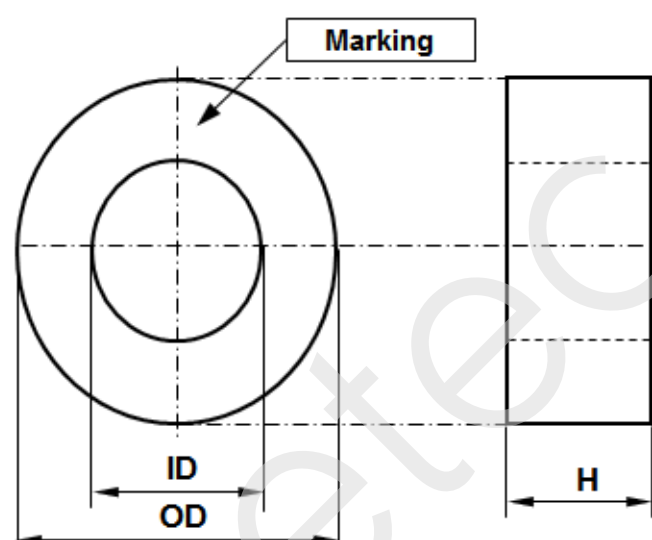


CONFIDENTIAL - Reproduction, publication and dissemination of this publication, enclosures hereto and the information contained therein is prohibited without MAGNETEC's prior written consent.

Client:	MAGNETEC	Magnetec P/N:	MR-063		
Client's P/N:	/	PS Index:	02	PS Revision:	01
Subject:	EMC Wandler				

1. Mechanical Outline	
Nominal equivalent round core: 61,5 x 39,5 x 23 Finished product dimensions: OD ≤ 65,5 ID ≥ 36 H ≤ 26,5 [dimensions] = mm	

2. Core data (nominal values)			
Core material:	NANOPERM®	$L_{Fe} = 15,6 \text{ cm}$	$A_{Fe} = 1,85 \text{ cm}^2$
Permeability level:	12 000	@ frequency 10 kHz	@ H peak 3 mA/cm

3. Inspection values (at room temperature, unless otherwise stated)			
Measured value	Measurement limits	Frequency	$I_{eff} \times N$ [mA x turn]
AL [μH]	12,5 - 25,0	10 kHz	33
AL [μH]	9,2 - NA	100 kHz	33

4. Core finishing	
Type:	Epoxy coated
Marking:	MAGNETEC MR-063-02 YM (YM = Year/Month), acc. to IEC 60062 6.1.1
Packaging:	10 pcs. per layer; 3 layers per carton box; PU = 30 pcs.

5. Comments
Visit http://www.magnetec.de/fileadmin/pdf/pb_ds.pdf for further information.

Index / Revision	Alteration	Date
02 / 01	First issue	20.07.2016

Created:	Z. Palánki 20.07.2016	Approved (Techn):	F. Záborszky 02.08.2016	Approved (Quality):	L. Ferencz 02.08.2016	Released:	T. Trupp 02.08.2016
-----------------	--------------------------	--------------------------	----------------------------	----------------------------	--------------------------	------------------	------------------------

CONFIDENTIAL - Reproduction, publication and dissemination of this publication, enclosures hereto and the information contained therein is prohibited without MAGNETEC's prior written consent. Disclosing the specification to third parties or using its content without written permission from MAGNETEC is strictly forbidden and every offender is liable to pay the corresponding damages.