

Product specification for inductive components

Form: MF04.05 (F108)
Revision: 01

Client:	MAGNETEC GmbH	Magnetec P/N:	M-004	Magnetec A/N:	12687
Client's P/N:	/	PS Index:	01	PS Revision:	02
Subject:	CT Wandler				

1. Mechanical Outline

Nominal equivalent round core:

29 x 25 x 5

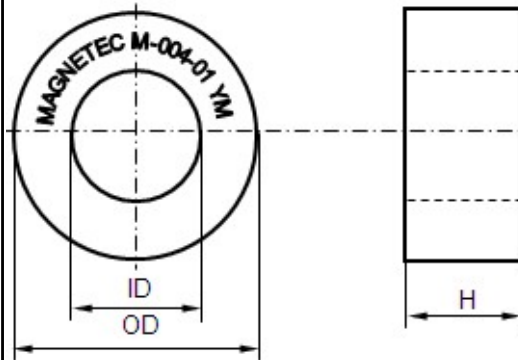
Finished product dimensions:

OD \leq **32,2**

ID \geq **22,8**

H \leq **8,2**

[dimensions] = mm



2. Core data (nominal values)

Core material:	NANOPERM®	$L_{Fe} = 8,50 \text{ cm}$	$A_{Fe} = 0,07 \text{ cm}^2$
Permeability level:	ca.220.000	@ frequency 50 Hz	@ H peak 21 mA/cm

3. Inspection values (at room temperature, unless otherwise stated)

Measured value	Measurement limits	Frequency	leff x N [mA x turn]
AL [μH]	20 - 30	50 Hz	128

4. Core finishing

Type:	Cased
Marking:	MAGNETEC M-004-01 YM (YM = Year/Month), acc. to IEC 60062 6.1.1
Packaging:	35 pcs. per layer; 9 layers per carton box; PU = 315 pcs.

5. Comments

- Visit http://www.magnetec.de/fileadmin/pdf/pb_ds.pdf for further information.

Index / Revision	Alteration	Date
01 / 01	First issue	15.07.2014
01 / 02	Permeability increased, packaging unit added	17.10.2014

Created:	D. Tóth 17.10.2014	Approved (Techn):	F. Záborszky 10.11.2014	Approved (Quality):	J. Gulyás 10.11.2014	Released:	H. Doenges 10.11.2014
-----------------	-----------------------	--------------------------	----------------------------	----------------------------	-------------------------	------------------	--------------------------

Disclosing the specification to third parties or using its content without written permission from MAGNETEC is strictly forbidden and every offender is liable to pay the corresponding damages