

FORM F 108
Revision: 05
Page: 1/1

Product specification
for inductive components

MAGNETEC GmbH
Industriestrasse 7
D-63505 Langenselbold

Client:	MAGNETEC GmbH	Magnetec P/N:	M-006	Magnetec A/N:	12030
Client's P/N:	/	PS Index:	06	PS Revision:	05
Subject:	EMC Wandler				

1. Mechanical Outline

Nominal equivalent round core:

40 x 25 x 15

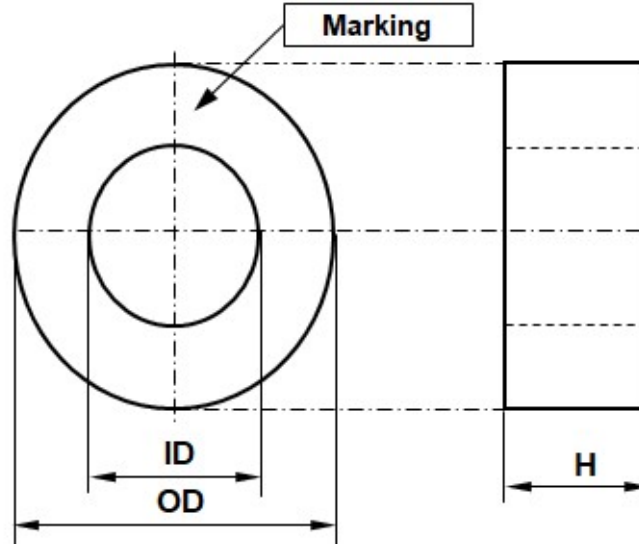
Finished product dimensions:

OD \leq 42,3

ID \geq 22,3

H \leq 17,3

[dimensions] = mm



2. Core data (nominal values)

Core material:	NANOPERM®	$L_{Fe} = 9,9 \text{ cm}$	$A_{Fe} = 0,8 \text{ cm}^2$
Permeability level:	30 000	@ frequency 10 kHz	@ H peak 3,5 mA/cm

3. Inspection values (at room temperature, unless otherwise stated)

Measured value	Measurement limits	Frequency	leff x N [mA x turn]
AL [μ H]	22 - 44	10 kHz	25
AL [μ H]	13,2 - NA	100 kHz	25

4. Core finishing

Type:	Epoxy coated
Marking:	MAGNETEC M-006-06 YM (YM = Year/Month), acc. to IEC 60062 6.1.1
Packaging:	24 pcs. per layer; 4 layers per carton box; PU = 96 pcs.

5. Comments

Visit http://www.magnetec.de/fileadmin/pdf/pb_ds.pdf for further information.

Index / Revision	Alteration	Date
05 / 01	Product Specification	24.04.2002
06 / 02	New form / PU = 120 pcs.	17.11.2008
06 / 03	PU=96	15.01.2014
06 / 04	Define 100kHz lower limit	26.08.2014
06 / 05	Increase 100kHz lower limit by 20%	06.03.2018

Created:	J. Tótk 06.03.2018	Approved (Techn):	F. Záborszky 12.05.2018	Approved (Quality):	G. Zsák 12.05.2018	Released:	P. Seiz 21.09.2018
----------	-----------------------	-------------------	----------------------------	---------------------	-----------------------	-----------	-----------------------

Disclosing the specification to third parties or using its content without written permission from MAGNETEC is strictly forbidden and every offender is liable to pay the corresponding damages