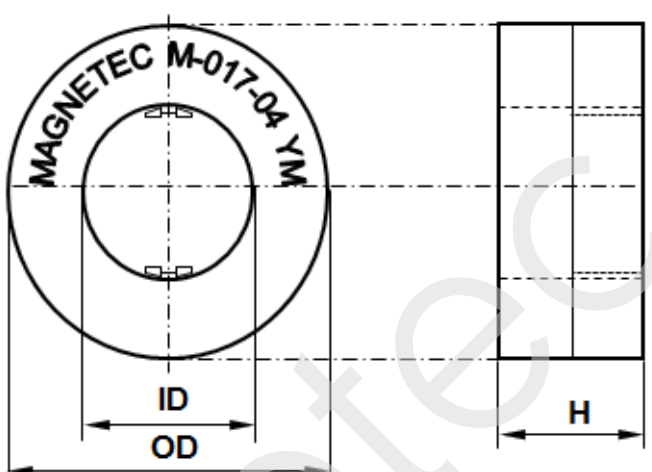


CONFIDENTIAL - Reproduction, publication and dissemination of this publication, enclosures hereto and the information contained therein is prohibited without MAGNETEC's prior written consent.

<b>Client:</b>	<b>MAGNETEC</b>	<b>Magnetec P/N:</b>	<b>M-017</b>		
<b>Client's P/N:</b>	/	<b>PS Index:</b>	<b>04</b>	<b>PS Revision:</b>	<b>07</b>
<b>Subject:</b>	<b>EMC Wandler</b>				

1. Mechanical Outline	
Nominal equivalent round core:  <b>16 x 10 x 6</b>  Finished product dimensions:  OD ≤ <b>18,0</b> ID ≥ <b>8,0</b> H ≤ <b>8,0</b>  [dimensions] = mm	

2. Core data (nominal values)			
Core material:	<b>NANOPERM®</b>	$L_{Fe} = 4,04 \text{ cm}$	$A_{Fe} = 0,13 \text{ cm}^2$
Permeability level:	~ <b>100 000</b>	@ frequency <b>10 kHz</b>	@ H peak <b>3,49 mA/cm</b>

3. Inspection values (at room temperature, unless otherwise stated)			
Measured value	Measurement limits	Frequency	leff x N [mA x turn]
<b>AL [μH]</b>	<b>30 - 60</b>	<b>10 kHz</b>	<b>10</b>
<b>AL [μH]</b>	<b>6,3 - NA</b>	<b>100 kHz</b>	<b>10</b>

4. Core finishing	
Type:	<b>Cased</b>
Marking:	<b>MAGNETEC M-017-04 YM (YM = Year/Month), acc. to IEC 60062 6.1.1</b>
Packaging:	<b>110 pcs. per layer; 9 layers per carton box; PU = 990 pcs.</b>

5. Comments	
Visit <a href="http://www.magnetec.de/fileadmin/pdf/pb_ds.pdf">http://www.magnetec.de/fileadmin/pdf/pb_ds.pdf</a> for further information.	

Index / Revision	Alteration	Date
02 / 00	Product Specification	07.02.2000
03 / 01	Bare core size 16x10,2x6mm	21.06.2001
03 / 02	PU = 344 pcs.; Inspection values	22.01.2004
03 / 03	PU = 990 pcs.	26.10.2004
03 / 04	New form	21.09.2005
04 / 05	New case MT-063.01-01 & MT-063.01-02	25.10.2007
04 / 06	100kHz lower limit defined	06.11.2014
04 / 07	Harmonization of part and finished product dimensions	14.02.2020

<b>Created:</b>	Z. Braxátor 14.02.2020	<b>Approved (Techn):</b>	F. Zámbořský 14.02.2020	<b>Approved (Quality):</b>	G. Zsák 14.02.2020	<b>Released:</b>	B. Kessler 14.02.2020
-----------------	---------------------------	--------------------------	----------------------------	----------------------------	-----------------------	------------------	--------------------------

CONFIDENTIAL - Reproduction, publication and dissemination of this publication, enclosures hereto and the information contained therein is prohibited without MAGNETEC's prior written consent. Disclosing the specification to third parties or using its content without written permission from MAGNETEC is strictly forbidden and every offender is liable to pay the corresponding damages.