

Product specification for inductive components

Form: MF04.05 (F108)
Revision: 01

Client:	MAGNETEC	Magnetec P/N:	M-027	Magnetec A/N:	53185
Client's P/N:	/	PS Index:	01	PS Revision:	01
Subject:	CT Wandler				

1. Mechanical Outline

Nominal equivalent round core:

60 x 55 x 5

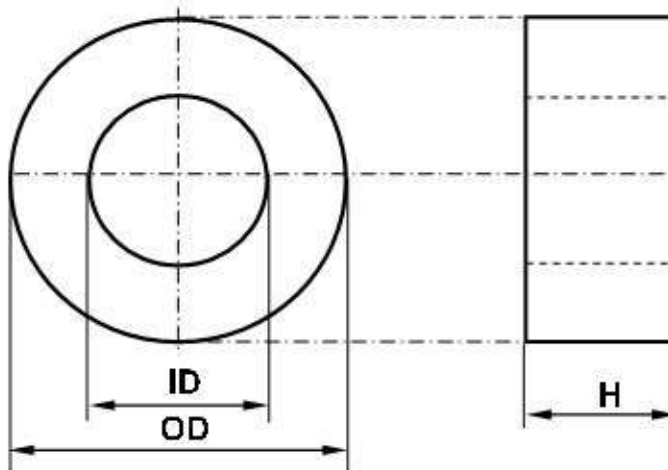
Finished product dimensions:

OD \leq **62,0**

ID \geq **51,6**

H \leq **7,5**

[dimensions] = mm



2. Core data (nominal values)

Core material:	NANOPERM®	$L_{Fe} = 17,74 \text{ cm}$	$A_{Fe} = 0,1 \text{ cm}^2$
Permeability level:	~160000	@ frequency 50 Hz	@ H peak 6 mA/cm

3. Inspection values (at room temperature, unless otherwise stated)

Measured value	Measurement limits	Frequency	$l_{eff} \times N$ [mA x turn]
AL [μH]	NA - 12,09	120 Hz	43
AL [μH]	NA - 17,42	120 Hz	72
AL [μH]	6,52 - NA	120 Hz	83
AL [μH]	9,72 - NA	120 Hz	133

4. Core finishing

Type:	Cased
Marking:	None
Packaging:	- pcs. per layer; - layers per carton box; PU = - pcs.

5. Comments

Measurements done on 120 Hz to increase accuracy.

Spot check of each batch on 50 Hz. Visit http://www.magnetec.de/fileadmin/pdf/pb_ds.pdf for further information.

Index / Revision	Alteration	Date
01 / 01	First issue	01.06.2015

Created:	D. Tóth 01.06.2015	Approved (Techn):	Zs. Sándor 08.06.2015	Approved (Quality):	J. Gulyás 08.06.2015	Released:	F. Zámboreszky 08.06.2015
-----------------	-----------------------	--------------------------	--------------------------	----------------------------	-------------------------	------------------	------------------------------