

FORM F 108
Revision: 05
Page: 1/1

Product specification
for inductive components

MAGNETEC GmbH
Industriestrasse 7
D-63505 Langenselbold

Client:	MAGNETEC	Magnetec P/N:	M-053	Magnetec A/N:	12087
Client's P/N:	/	PS Index:	06	PS Revision:	05
Subject:	EMC Wandler				

1. Mechanical Outline

Nominal equivalent round core:

25 x 20 x 10

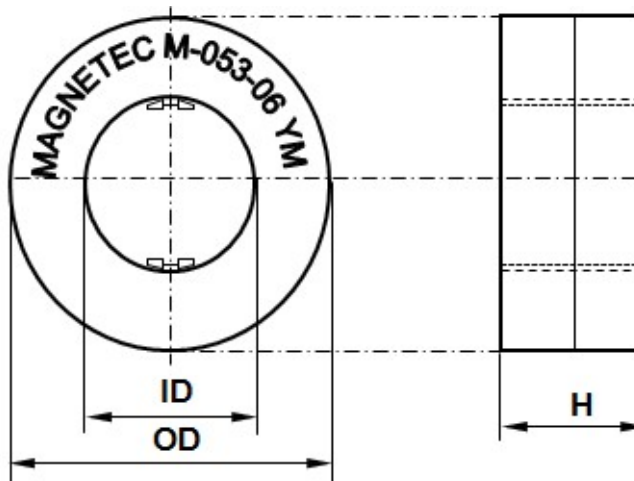
Finished product dimensions:

OD \leq 27,8

ID \geq 17,8

H \leq 12,5

[dimensions] = mm



2. Core data (nominal values)

Core material:	NANOPERM®	$L_{Fe} = 7,1 \text{ cm}$	$A_{Fe} = 0,20 \text{ cm}^2$
Permeability level:	ca. 90.000	@ frequency 10 kHz	@ H peak 3,00 mA/cm

3. Inspection values (at room temperature, unless otherwise stated)

Measured value	Measurement limits	Frequency	$I_{eff} \times N$ [mA x turn]
AL [μ H]	22,5 - 41,3	10 kHz	15
AL [μ H]	5,6 - NA	100 kHz	15

4. Core finishing

Type:	Cased
Marking:	MAGNETEC M-053-06 YM (YM = Year/Month), acc. to IEC 60062 6.1.1
Packaging:	63 pcs. per layer; 6 layers per carton box; PU = 378 pcs.

5. Comments

Visit http://www.magnetec.de/fileadmin/pdf/pb_ds.pdf for further information.

Index / Revision	Alteration	Date
04 / 00	Production specification	15.03.2001
05 / 01	AL = 22.5 - 45.0 μ H	27.07.2006
06 / 02	AL = 22.5 - 41.3 μ H	28.09.2006
06 / 03	100kHz lower limit defined	07.11.2014
06 / 04	Separator holder missed from the drawing	20.03.2015
06 / 05	Harmonization of part and finished product dimensions	02.01.2020

Created:	Z. Braxátor 02.01.2020	Approved (Techn):	F. Záborszky 02.01.2020	Approved (Quality):	G. Zsák 02.01.2020	Released:	B. Kessler 02.01.2020
----------	---------------------------	-------------------	----------------------------	---------------------	-----------------------	-----------	--------------------------

Disclosing the specification to third parties or using its content without written permission from MAGNETEC is strictly forbidden and every offender is liable to pay the corresponding damages