

Product specification for inductive components

Form: MF04.05 (F108)
Revision: 01

Client:	MAGNETEC	Magnetec P/N:	M-075	Magnetec A/N:	12070
Client's P/N:	/	PS Index:	02	PS Revision:	06
Subject:	EMC Wandler				

1. Mechanical Outline

Nominal equivalent round core:

13 x 9,3 x 6

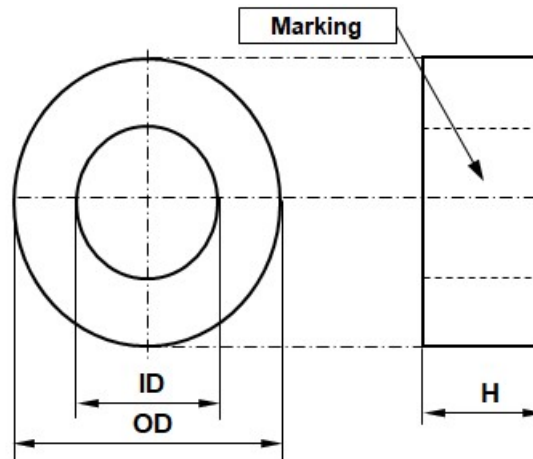
Finished product dimensions:

OD \leq **14,0**

ID \geq **8,2**

H \leq **6,7**

[dimensions] = mm



2. Core data (nominal values)

Core material:	NANOPERM®	$L_{Fe} = 3,47 \text{ cm}$	$A_{Fe} = 0,086 \text{ cm}^2$
Permeability level:	ca. 30.000	@ frequency 10 kHz	@ H peak 9,33 mA/cm

3. Inspection values (at room temperature, unless otherwise stated)

Measured value	Measurement limits	Frequency	leff x N [mA x turn]
AL [μH]	5,7 - 13,4	10 kHz	23
AL [μH]	2,8 - NA	100 kHz	23

4. Core finishing

Type:	Epoxy coated
Marking:	MAGNETEC M-075-02 YM (YM = Year/Month), acc. to IEC 60062 6.1.1
Packaging:	110 pcs. per layer; 10 layers per carton box; PU = 1100 pcs.

5. Comments

Visit http://www.magnetec.de/fileadmin/pdf/pb_ds.pdf for further information.

Index / Revision	Alteration	Date
01 / 00	Product specification	03.05.2001
01 / 01	Packaging change (PU: 880)	31.07.2001
02 / 02	New end product dimension: 14 x 8,2 x 6,7mm; packaging change (PU: 960)	10.05.2004
02 / 03	Packaging change (PU: 1100)	23.11.2004
02 / 04	LN format	08.02.2013
02 / 05	100kHz lower limit defined	09.09.2014
02 / 06	Marking on the side of the product	04.03.2020

Created:	J. Tófik 04.03.2020	Approved (Techn):	F. Zámbořský 10.03.2020	Approved (Quality):	Sz. Ilcsik 04.03.2020	Released:	B. Kessler 10.03.2020
-----------------	------------------------	--------------------------	----------------------------	----------------------------	--------------------------	------------------	--------------------------

Disclosing the specification to third parties or using its content without written permission from MAGNETEC is strictly forbidden and every offender is liable to pay the corresponding damages