

Product specification for inductive components

Form: MF04.05 (F108)
Revision: 01

Client:	MAGNETEC	Magnetec P/N:	M-1000	Magnetec A/N:	53199
Client's P/N:	M-1000	PS Index:	01	PS Revision:	02
Subject:	CT Wandler				

1. Mechanical Outline

Nominal equivalent round core:

36 x 31,5 x 5

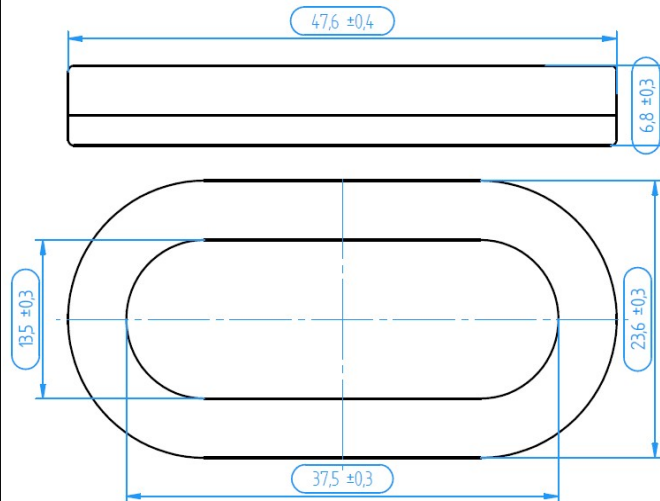
Finished product dimensions:

OD ≤

ID ≥

H ≤

[dimensions] = mm



2. Core data (nominal values)

Core material:	NANOPERM®	$L_{Fe} = 10,6 \text{ cm}$	$A_{Fe} = 0,09 \text{ cm}^2$
Permeability level:	ca. 170000	@ frequency 50 Hz	@ H peak 21 mA/cm

3. Inspection values (at room temperature, unless otherwise stated)

Measured value	Measurement limits	Frequency	leff x N [mA x turn]
AL [μH]	20 - 30	50 Hz	159

4. Core finishing

Type:	Cased
Marking:	None
Packaging:	27 pcs. per layer; 5x2 layers per carton box; PU = 270 pcs.

5. Comments

Visit http://www.magnetec.de/fileadmin/pdf/pb_ds.pdf for further information.

Index / Revision	Alteration	Date
01 / 01	First issue	12.04.2017
01 / 02	Packaging defined	11.08.2021

Created:	Z. Palánki 11.08.2021	Approved (Techn):	F. Zámboreszky 08.09.2021	Approved (Quality):	A. Magyar Szabóné 11.08.2021	Released:	D. Tóth 09.09.2021
-----------------	--------------------------	--------------------------	------------------------------	----------------------------	---------------------------------	------------------	-----------------------

Disclosing the specification to third parties or using its content without written permission from MAGNETEC is strictly forbidden and every offender is liable to pay the corresponding damages