

Product specification for inductive components

Form: MF04.05 (F108)
Revision: 01

Client:	MAGNETEC	Magnetec P/N:	M-1025	Magnetec A/N:	53221
Client's P/N:		PS Index:	03	PS Revision:	01
Subject:	CT Wandler				

1. Mechanical Outline

Nominal equivalent round core:

101 x 78 x 16

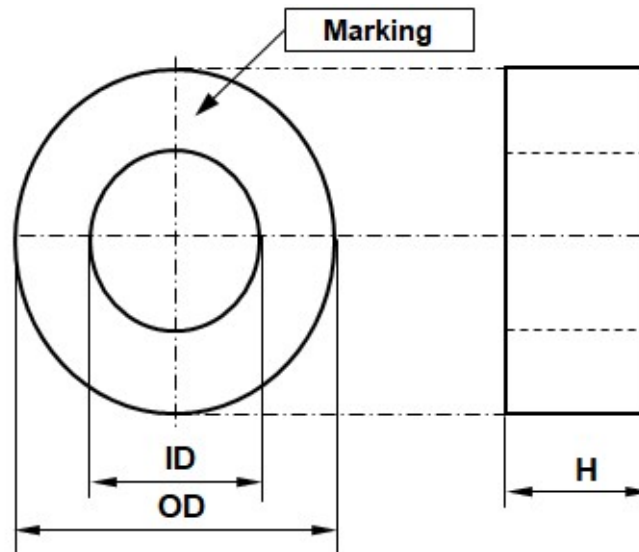
Finished product dimensions:

OD \leq 103,5

ID \geq 75,5

H \leq 18

[dimensions] = mm



2. Core data (nominal values)

Core material:	NANOPERM®	$L_{Fe} = 27,85 \text{ cm}$	$A_{Fe} = 1,35 \text{ cm}^2$
Permeability level:		@ frequency	@ H peak
	25000	50 Hz	10 mA/cm

3. Inspection values (at room temperature, unless otherwise stated)

Measured value	Measurement limits	Frequency	leff x N [mA x turn]
AL [μH]	12,5 - 22	50 Hz	198

4. Core finishing

Type:	Epoxy coated and foil bandaged
Marking:	MAGNETEC M-1025-03 YM (YM = Year/Month), acc. to IEC 60062 6.1.1
Packaging:	pcs. per layer; layers per carton box; PU = pcs.

5. Comments

Visit http://www.magnetec.de/fileadmin/pdf/pb_ds.pdf for further information.

Index / Revision	Alteration	Date
03 / 01	First issue	08.10.2018

Created:	M. Pádár 08.10.2018	Approved (Techn):	Z. Makovinyi 2018. 10. 10	Approved (Quality):	R. Montvai 09.11.2018	Released:	F. Zámboorszky 13.11.2018
-----------------	------------------------	--------------------------	------------------------------	----------------------------	--------------------------	------------------	------------------------------

Disclosing the specification to third parties or using its content without written permission from MAGNETEC is strictly forbidden and every offender is liable to pay the corresponding damages