

## Product specification for inductive components

Form: MF04.05 (F108)  
Revision: 01

<b>Client:</b>	<b>MAGNETEC</b>	<b>Magnetec P/N:</b>	<b>M-1026</b>	<b>Magnetec A/N:</b>	<b>84916</b>
<b>Client's P/N:</b>	/	<b>PS Index:</b>	<b>01S</b>	<b>PS Revision:</b>	<b>02</b>
<b>Subject:</b>	<b>EMC Wandler</b>				

**Preliminary datasheet: This document is strictly confidential! It is subject to change without prior notice!**

### 1. Mechanical Outline

Nominal equivalent round core:

**570 x 520 x 30**

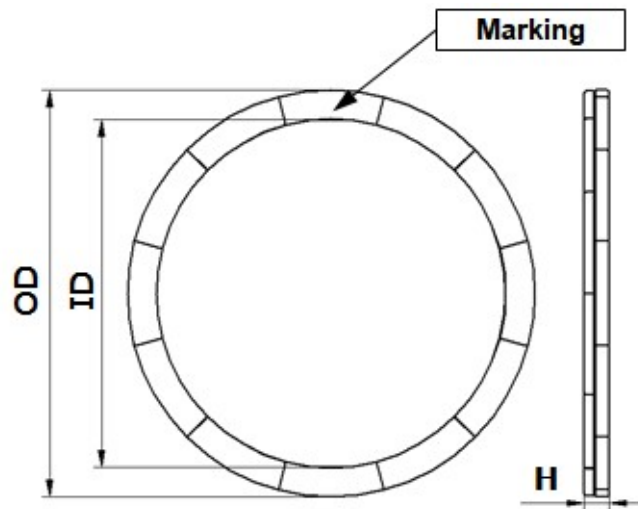
Finished product dimensions:

OD ≤ **592**

ID ≥ **503**

H ≤ **38,0**

[dimensions] = mm



### 2. Core data (nominal values)

Core material:	<b>NANOPERM®</b>	$L_{Fe} = 171,1 \text{ cm}$	$A_{Fe} = 5,12 \text{ cm}^2$
Permeability level:	<b>30 000</b>	@ frequency <b>10 kHz</b>	@ H peak <b>0,85 mA/cm</b>

### 3. Inspection values (at room temperature, unless otherwise stated)

Measured value	Measurement limits	Frequency	leff x N [mA x turn]
<b>AL [μH]</b>	<b>8,44 - 16,89</b>	<b>10 kHz</b>	<b>100</b>

### 4. Core finishing

Type:	<b>Glued into case</b>
Marking:	<b>MAGNETEC M-1026-01 YM (YM = Year/Month), acc. to IEC 60062 6.1.1</b>
Packaging:	<b>1 pcs. per layer; 4 layers per carton box; PU = 4 pcs.</b>

### 5. Comments

Visit [http://www.magnetec.de/fileadmin/pdf/pb\\_ds.pdf](http://www.magnetec.de/fileadmin/pdf/pb_ds.pdf) for further information.

Index / Revision	Alteration	Date
01S / 01	Sample	04.02.2020
01S / 02	Release for B sample production	23.04.2020

<b>Created:</b>	Z. Palánki 23.04.2020	<b>Approved (Techn):</b>	F. Zámorszky 19.05.2020	<b>Approved (Quality):</b>	Sz. Ilcsik 23.04.2020	<b>Released:</b>	B. Kessler 20.05.2020
-----------------	--------------------------	--------------------------	----------------------------	----------------------------	--------------------------	------------------	--------------------------

Disclosing the specification to third parties or using its content without written permission from MAGNETEC is strictly forbidden and every offender is liable to pay the corresponding damages