



## Product specification for inductive components

Form: MF04.05 (F108)  
Revision: 01

<b>Client:</b>	<b>Premo</b>	<b>Magnetec P/N:</b>	<b>M-1063</b>	<b>Magnetec A/N:</b>	<b>70424</b>
<b>Client's P/N:</b>	<b>W-5902-0428</b>	<b>PS Index:</b>	<b>01</b>	<b>PS Revision:</b>	<b>01</b>
<b>Subject:</b>	<b>EMC Wandler</b>				

### 1. Mechanical Outline

Nominal equivalent round core:

**30.5 x 21.5 x 12**

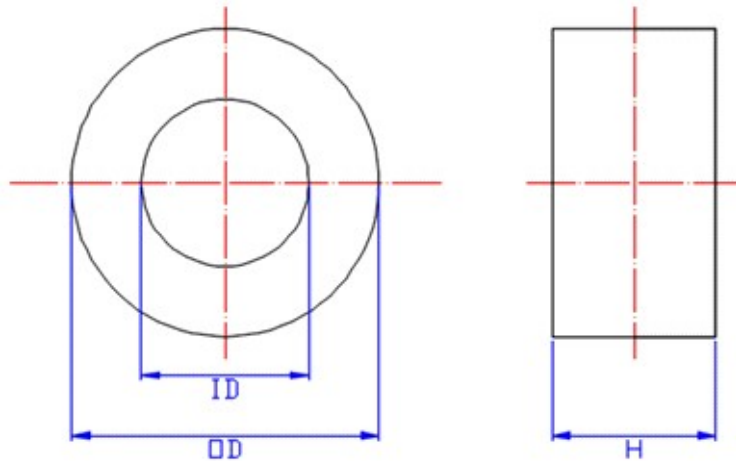
Finished product dimensions:

OD  $\leq$  **34.7**

ID  $\geq$  **17.8**

H  $\leq$  **15.8**

[dimensions] = mm



### 2. Core data (nominal values)

Core material:	<b>NANOPERM®</b>	$L_{Fe} = 8.1 \text{ cm}$	$A_{Fe} = 0.42 \text{ cm}^2$
Permeability level:	<b>120,000</b>	@ frequency <b>10 kHz</b>	@ H peak <b>NA mA/cm</b>

### 3. Inspection values (at room temperature, unless otherwise stated)

Measured value	Measurement limits	Frequency	leff x N [mA x turn]
<b>AL [<math>\mu</math>H]</b>	<b>55.0 - 110.0</b>	<b>10KHz</b>	<b>0.3V</b>
<b>AL [<math>\mu</math>H]</b>	<b>13.5 - 27.0</b>	<b>100KHz</b>	<b>0.3V</b>

### 4. Core finishing

Type:	
Marking:	<b>None</b>
Packaging:	<b>pcs. per layer; layers per carton box; PU = pcs.</b>

### 5. Comments

Visit [http://www.magnetec.de/fileadmin/pdf/pb\\_ds.pdf](http://www.magnetec.de/fileadmin/pdf/pb_ds.pdf) for further information.

Index / Revision	Alteration	Date
01/01	First issue	07.08.2019

<b>Created:</b>	YuBao.Zhang 07.08.2019	<b>Approved (Techn):</b>	YuSen.Zhou 07.08.2019	<b>Approved (Quality):</b>	JianNing.Chen 07.08.2019	<b>Released:</b>	P. Seiz 07.08.2019
-----------------	---------------------------	--------------------------	--------------------------	----------------------------	-----------------------------	------------------	-----------------------

Disclosing the specification to third parties or using its content without written permission from MAGNETEC is strictly forbidden and every offender is liable to pay the corresponding damages.