

Product specification for inductive components

Form: MF04.05 (F108)
Revision: 01

Client:	TDK	Magnetec P/N:	M-1144	Magnetec A/N:	12902
Client's P/N:	/	PS Index:	01	PS Revision:	01
Subject:	EMC Wandler				

1. Mechanical Outline

Nominal equivalent round core:

45 x 30 x 20

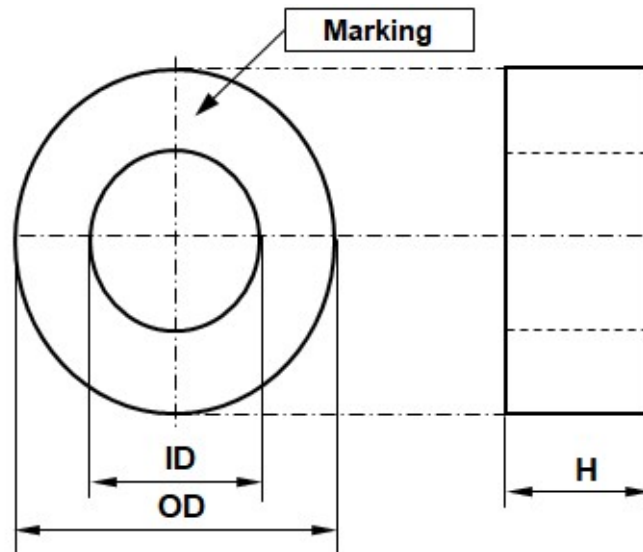
Finished product dimensions:

OD ≤ **47,5**

ID ≥ **28,0**

H ≤ **22,2**

[dimensions] = mm



2. Core data (nominal values)

Core material:	NANOPERM®	$L_{Fe} = 11,8 \text{ cm}$	$A_{Fe} = 1,2 \text{ cm}^2$
Permeability level:		@ frequency	@ H peak
	ca. 90 000	10 kHz	3,6 mA/cm

3. Inspection values (at room temperature, unless otherwise stated)

Measured value	Measurement limits	Frequency	leff x N [mA x turn]
AL [μH]	75 - 150	10 kHz	30
AL [μH]	18,7 - NA	100 kHz	30

4. Core finishing

Type:	Epoxy coated
Marking:	MAGNETEC M-1144-01 YM (YM = Year/Month), acc. to IEC 60062 6.1.1
Packaging:	15 pcs. per layer; 4 layers per carton box; PU = 60 pcs.

5. Comments

Visit http://www.magnetec.de/fileadmin/pdf/pb_ds.pdf for further information.

Index / Revision	Alteration	Date
01 / 01	Product Specification	19.06.2019

Created:	J. Tótik 19.06.2019	Approved (Techn):	F. Záborszky 07.10.2019	Approved (Quality):	G. Zsák 19.06.2019	Released:	J. Mesin 14.10.2019
-----------------	------------------------	--------------------------	----------------------------	----------------------------	-----------------------	------------------	------------------------

Disclosing the specification to third parties or using its content without written permission from MAGNETEC is strictly forbidden and every offender is liable to pay the corresponding damages