



## Product specification for inductive components

Form: MF04.05 (F108)  
Revision: 01

<b>Client:</b>	<b>MAGNETEC</b>	<b>Magnetec P/N:</b>	<b>M-118 (for MB-040)</b>	<b>Magnetec A/N:</b>	<b>12939</b>
<b>Client's P/N:</b>		<b>PS Index:</b>	<b>02</b>	<b>PS Revision:</b>	<b>06</b>
<b>Subject:</b>	<b>EMC Wandler</b>				

### 1. Mechanical Outline

Nominal equivalent round core:

**16 x 10,2 x 6**

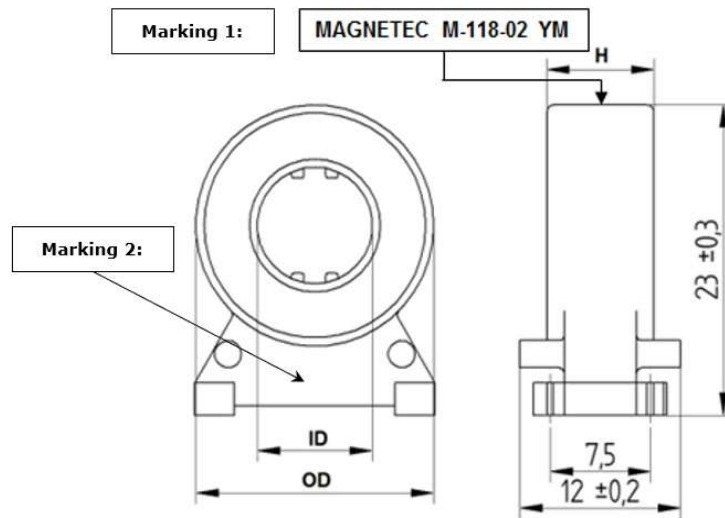
Finished product dimensions:

OD  $\leq$  **18,2**

ID  $\geq$  **8,4**

H  $\leq$  **8,2**

[dimensions] = mm



### 2. Core data (nominal values)

Core material:	<b>NANOPERM®</b>	$L_{Fe} = 4,05 \text{ cm}$	$A_{Fe} = 0,13 \text{ cm}^2$
Permeability level:	<b>ca. 90.000</b>	@ frequency <b>10 kHz</b>	@ H peak <b>3,49 mA/cm</b>

### 3. Inspection values (at room temperature, unless otherwise stated)

Measured value	Measurement limits	Frequency	leff x N [mA x turn]
<b>AL [μH]</b>	<b>28,4 - 56,9</b>	<b>10 kHz</b>	<b>10</b>
<b>AL [μH]</b>	<b>7,1 - NA</b>	<b>100 kHz</b>	<b>10</b>

### 4. Core finishing

Type:	<b>Cased</b>
Marking:	<b>Marking 1: MAGNETEC M-118-02 YM (YM = Year/Month), acc. to IEC 60062 6.1.1</b> <b>Marking 2: MAGNETEC MB-040-03 YM (YM = Year/Month), acc. to IEC 60062 6.1.1</b>
Packaging:	<b>60 pcs. per layer; 7 layers per carton box; PU = 420 pcs.</b>

### 5. Comments

Visit [http://www.magnetec.de/fileadmin/pdf/pb\\_ds.pdf](http://www.magnetec.de/fileadmin/pdf/pb_ds.pdf) for further information.

Index / Revision	Alteration	Date
01 / 01	Product Specification	13.09.2001
02 / 01	Core di = 10,2 mm	09.10.2003
02 / 02	Da $\leq$ 18,0 mm, Di $\geq$ 8,5 mm	21.09.2005
02 / 03	Marking position and dimesnions changed	17.10.2012
02 / 04	Packaging change	29.11.2013
02 / 05	100kHz llower limit defined	11.11.2014
02 / 06	New wandler part number , marking change	24.07.2020

<b>Created:</b>	Z. Braxátor	<b>Approved</b>	F. Záborszky	<b>Approved</b>	Sz. Ilcsik	<b>Released:</b>	B. Kessler
-----------------	-------------	-----------------	--------------	-----------------	------------	------------------	------------

	24.07.2020	<b>(Techn):</b>	27.07.2020	<b>(Quality):</b>	27.07.2020		11.08.2020
--	------------	-----------------	------------	-------------------	------------	--	------------

Disclosing the specification to third parties or using its content without written permission from MAGNETEC is strictly forbidden and every offender is liable to pay the corresponding damages