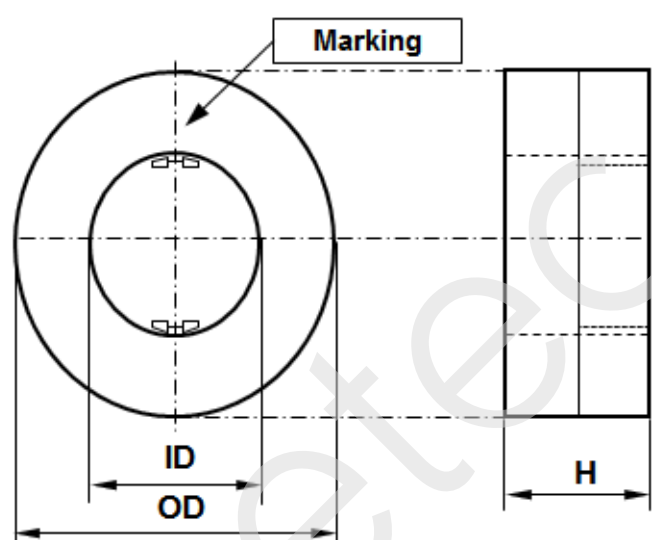


CONFIDENTIAL - Reproduction, publication and dissemination of this publication, enclosures hereto and the information contained therein is prohibited without MAGNETEC's prior written consent.

Client:	MAGNETEC	Magnetec P/N:	M-1254		
Client's P/N:	-	PS Index:	01	PS Revision:	01
Subject:	EMC Wandler				

1. Mechanical Outline	
<p>Nominal equivalent round core:</p> <p>25 x 20 x 10</p> <p>Finished product dimensions:</p> <p>OD ≤ 27,8 ID ≥ 17,0 H ≤ 12,6</p> <p>[dimensions] = mm</p>	

2. Core data (nominal values)			
Core material:	NANOPERM®	$L_{Fe} = 7,04 \text{ cm}$	$A_{Fe} = 0,19 \text{ cm}^2$
Permeability level:	~4000	@ frequency 10 kHz	@ H peak 3 mA/cm

3. Inspection values (at room temperature, unless otherwise stated)			
Measured value	Measurement limits	Frequency	I _{eff} x N [mA x turn]
AL [μH]	0,93 - 1,84	10 kHz	15
AL [μH]	0,93 - NA	100 kHz	15

4. Core finishing	
Type:	Cased
Marking:	MAGNETEC M-1254-01 YM (YM = Year/Month), acc. to IEC 60062 6.1.1
Packaging:	63 pcs. per layer; 6 layers per carton box; PU = 378 pcs.

5. Comments
 Visit http://www.magnetec.de/fileadmin/pdf/pb_ds.pdf for further information.

Index / Revision	Alteration	Date
01 / 01	First issue	05.07.2017

Created:	M. Pádár 05.07.2017	Approved (Techn):	F. Zámbořszky 28.07.2017	Approved (Quality):	G. Zsák 28.07.2017	Released:	P. Seiz 31.07.2017
-----------------	------------------------	--------------------------	-----------------------------	----------------------------	-----------------------	------------------	-----------------------

CONFIDENTIAL - Reproduction, publication and dissemination of this publication, enclosures hereto and the information contained therein is prohibited without MAGNETEC's prior written consent. Disclosing the specification to third parties or using its content without written permission from MAGNETEC is strictly forbidden and every offender is liable to pay the corresponding damages.