

Product specification for inductive components

Form: MF04.05 (F108)
Revision: 01

Client:	MAGNETEC GmbH	Magnetec P/N:	M-135	Magnetec A/N:	53139
Client's P/N:	/	PS Index:	01	PS Revision:	03
Subject:	CT Wandler				

1. Mechanical Outline

Nominal equivalent round core:

38 x 32 x 6

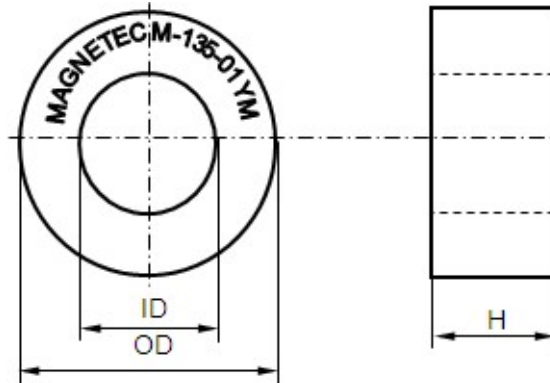
Finished product dimensions:

OD \leq **40,0**

ID \geq **28,8**

H \leq **8,2**

[dimensions] = mm



2. Core data (nominal values)

Core material:	NANOPERM®	$L_{Fe} =$ 10,80 cm	$A_{Fe} =$ 0,13 cm²
Permeability level:		@ frequency	@ H peak
	125.000 - 250.000	50 Hz	8 mA/cm

3. Inspection values (at room temperature, unless otherwise stated)

Measured value	Measurement limits	Frequency	leff x N [mA x turn]
AI [μH]	20 - 40	50 Hz	60

4. Core finishing

Type:	Cased
Marking:	MAGNETEC M-135-01 YM (YM = Year/Month), acc. to IEC 62 5.1
Packaging:	- pcs. per layer; - layers per carton box; PU = - pcs.

5. Comments

Visit http://www.magnetec.de/fileadmin/pdf/pb_ds.pdf for further information.

Index / Revision	Alteration	Date
01 / 01	Product specification	28.04.2011
01 / 02	AI limit change	17.08.2012
01 / 03	Harmonization of part and finished product dimensions	15.01.2020

Created:	Z. Braxátor 15.01.2020	Approved (Techn):	F. Záborszky 15.01.2020	Approved (Quality):	G. Zsák 15.01.2020	Released:	B. Kessler 15.01.2020
-----------------	---------------------------	--------------------------	----------------------------	----------------------------	-----------------------	------------------	--------------------------

Disclosing the specification to third parties or using its content without written permission from MAGNETEC is strictly forbidden and every offender is liable to pay the corresponding damages