

## Product specification for inductive components

Form: MF04.05 (F108)  
Revision: 01

<b>Client:</b>	<b>MAGNETEC</b>	<b>Magnetec P/N:</b>	<b>M-146</b>	<b>Magnetec A/N:</b>	<b>12163</b>
<b>Client's P/N:</b>	/	<b>PS Index:</b>	<b>01</b>	<b>PS Revision:</b>	<b>03</b>
<b>Subject:</b>	<b>CT Wandler</b>				

### 1. Mechanical Outline

Nominal equivalent round core:

**17,5 x 12,5 x 5**

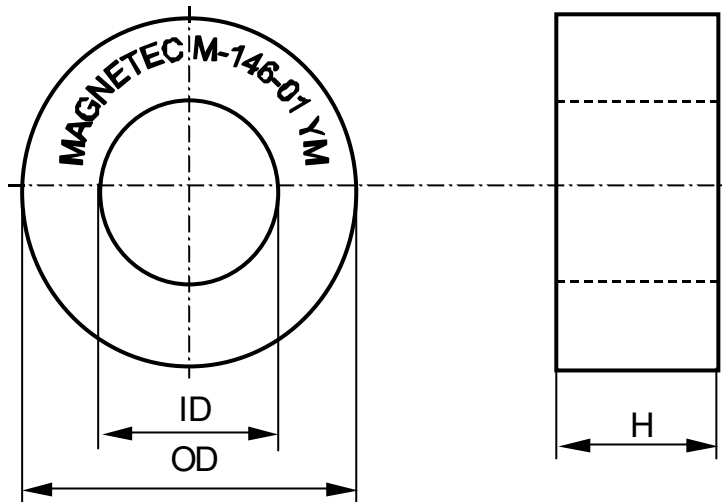
Finished product dimensions:

OD  $\leq$  **19,0**

ID  $\geq$  **11,5**

H  $\leq$  **6,0**

[dimensions] = mm



### 2. Core data (nominal values)

Core material:	<b>NANOPERM®</b>	$L_{Fe} = 4,67 \text{ cm}$	$A_{Fe} = 0,1 \text{ cm}^2$
Permeability level:	<b>&gt; 110 000</b>	@ frequency <b>50 Hz</b>	@ H peak <b>4,5 mA/cm</b>

### 3. Inspection values (at room temperature, unless otherwise stated)

Measured value	Measurement limits	Frequency	leff x N [mA x turn]
<b>AL [μH]</b>	<b>29 - NA</b>	<b>50 Hz</b>	<b>15</b>

### 4. Core finishing

Type:	<b>Epoxy coated</b>
Marking:	<b>MAGNETEC M-146-01 YM (YM = Year/Month), acc. to IEC 62 5.1</b>
Packaging:	<b>110 pcs. per layer; 10 layers per carton box; PU = 1100 pcs.</b>

### 5. Comments

Visit [http://www.magnetec.de/fileadmin/pdf/pb\\_ds.pdf](http://www.magnetec.de/fileadmin/pdf/pb_ds.pdf) for further information.

Index / Revision	Alteration	Date
01 / 00	Product Specification	19.04.2002
01 / 01	PU = 540 pcs.	18.12.2002
01 / 02	RoHS conform	16.06.2008
01 / 03	PU = 1100 pcs.	03.07.2012

<b>Created:</b>	Zs. Eperjesi 03.07.2012	<b>Approved (Techn):</b>	F. Zámboreszky 30.07.2012	<b>Approved (Quality):</b>	J. Gulyás 07.08.2012	<b>Released:</b>	F. Rauscher 07.08.2012
-----------------	----------------------------	--------------------------	------------------------------	----------------------------	-------------------------	------------------	---------------------------