

Product specification for inductive components

Form: MF04.05 (F108)
Revision: 01

Client:	MAGNETEC	Magnetec P/N:	M-1582	Magnetec A/N:	53237
Client's P/N:	-	PS Index:	01	PS Revision:	01
Subject:	CT Wandler				

1. Mechanical Outline

Nominal equivalent round core:

70,4 x 46,8 x 12

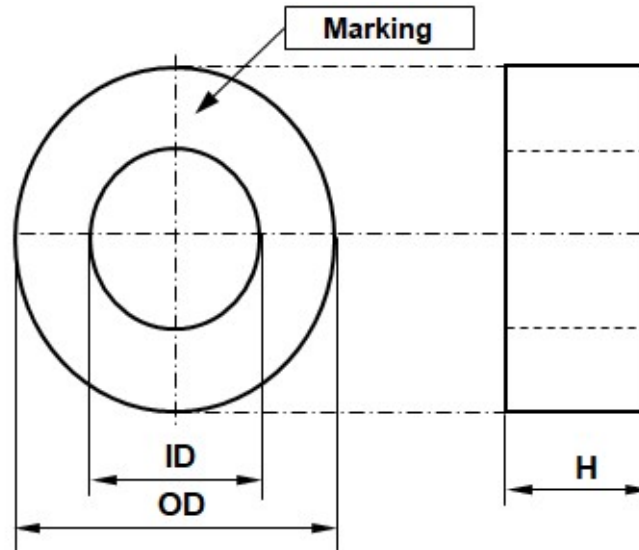
Finished product dimensions:

OD ≤ 72

ID ≥ 45

H ≤ 14

[dimensions] = mm



2. Core data (nominal values)

Core material:	NANOPERM®	$L_{Fe} = 18,0 \text{ cm}$	$A_{Fe} = 1,1 \text{ cm}^2$
Permeability level:	90.000	@ frequency 50 Hz	@ H peak 10 mA/cm

3. Inspection values (at room temperature, unless otherwise stated)

Measured value	Measurement limits	Frequency	$l_{eff} \times N$ [mA x turn]
AL [μH]	45 - 91	50 Hz	130

4. Core finishing

Type:	Epoxy coated and foil bandaged
Marking:	MAGNETEC M-1582 -01 YM (YM = Year/Month), acc. to IEC 60062 6.1.1
Packaging:	- pcs. per layer; - layers per carton box; PU = - pcs.

5. Comments

Visit http://www.magnetec.de/fileadmin/pdf/pb_ds.pdf for further information.

Index / Revision	Alteration	Date
01 / 01	First issue	19.11.2019

Created:	M. Pádár 19.11.2019	Approved (Techn):	F. Zámorszky 23.01.2020	Approved (Quality):	Sz. Ilcsik 23.01.2020	Released:	D. Tóth 24.01.2020
-----------------	------------------------	--------------------------	----------------------------	----------------------------	--------------------------	------------------	-----------------------

Disclosing the specification to third parties or using its content without written permission from MAGNETEC is strictly forbidden and every offender is liable to pay the corresponding damages