

FORM F 108
Revision: 04
Page: 1/1

**Product specification
for inductive components**

MAGNETEC GmbH
Industriestrasse 7
D-63505 Langenselbold

Client:	MAGNETEC	Magnetec P/N:	M-1747	Magnetec A/N:	12808
Client's P/N:	-	PS Index:	01	PS Revision:	01
Subject:	EMC Wandler				

1. Mechanical Outline

Nominal equivalent round core:

63 x 50 x 25

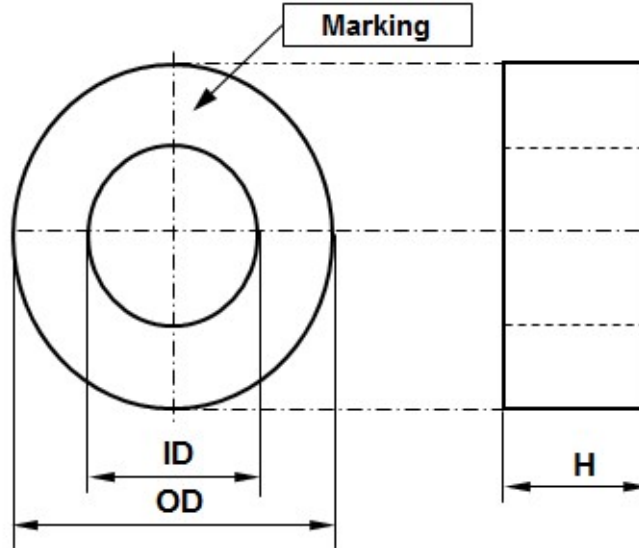
Finished product dimensions:

OD \leq **68,5**

ID \geq **44**

H \leq **30,1**

[dimensions] = mm



2. Core data (nominal values)

Core material:	NANOPERM®	$L_{Fe} = 17,67 \text{ cm}$	$A_{Fe} = 1,18 \text{ cm}^2$
Permeability level:	30.000	@ frequency 10 kHz	@ H peak 3 mA/cm

3. Inspection values (at room temperature, unless otherwise stated)

Measured value	Measurement limits	Frequency	$l_{eff} \times N$ [mA x turn]
AL [μH]	17,7 - 35,4	10 kHz	37,5
AL [μH]	11,8 - NA	100 kHz	37,5

4. Core finishing

Type:	Cased
Marking:	MAGNETEC M-1747-01 YM (YM = Year/Month), acc. to IEC 60062 6.1.1
Packaging:	8 pcs. per layer; 3 layers per carton box; PU = 24 pcs.

5. Comments

Visit http://www.magnetec.de/fileadmin/pdf/pb_ds.pdf for further information.

Index / Revision	Alteration	Date
01 / 01	First issue	18.07.2016

Created:	M. Pádár 18.07.2016	Approved (Techn):	Z. Palánki 09.08.2016	Approved (Quality):	L. Ferencz 09.08.2016	Released:	T. Trupp 09.08.2016
-----------------	------------------------	--------------------------	--------------------------	----------------------------	--------------------------	------------------	------------------------

Disclosing the specification to third parties or using its content without written permission from MAGNETEC is strictly forbidden and every offender is liable to pay the corresponding damages