

## Product specification for inductive components

Form: MF04.05 (F108)  
Revision: 01

<b>Client:</b>	<b>MAGNETEC</b>	<b>Magnetec P/N:</b>	<b>M-181</b>	<b>Magnetec A/N:</b>	<b>12178</b>
<b>Client's P/N:</b>	/	<b>PS Index:</b>	<b>03</b>	<b>PS Revision:</b>	<b>03</b>
<b>Subject:</b>	<b>CT Wandler</b>				

### 1. Mechanical Outline

Nominal equivalent round core:

**27 x 18 x 10**

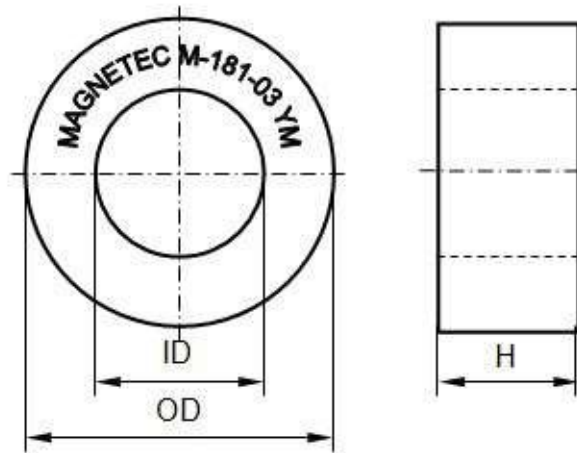
Finished product dimensions:

OD ≤ **28,2**

ID ≥ **16,6**

H ≤ **12,0**

[dimensions] = mm



### 2. Core data (nominal values)

Core material:	<b>NANOPERM®</b>	$L_{Fe} = 6,97 \text{ cm}$	$A_{Fe} = 0,36 \text{ cm}^2$
Permeability level:	> <b>80 000</b>	@ frequency <b>50 Hz</b>	@ H peak <b>4,0 and 20,0 mA/cm</b>

### 3. Inspection values (at room temperature, unless otherwise stated)

Measured value	Measurement limits	Frequency	leff x N [mA x turn]
<b>U1AVG [mV/turn]</b>	<b>0,29 - NA</b>	<b>50 Hz</b>	<b>20,0</b>
<b>U2AVG</b>	<b>1,60 - NA</b>	<b>50 Hz</b>	<b>100,0</b>

### 4. Core finishing

Type:	<b>Epoxy coated</b>
Marking:	<b>MAGNETEC M-181-03 YM</b>
Packaging:	<b>48 pcs. per layer; 6 layers per carton box; PU = 288 pcs.</b>

### 5. Comments

Visit [http://www.magnetec.de/fileadmin/pdf/pb\\_ds.pdf](http://www.magnetec.de/fileadmin/pdf/pb_ds.pdf) for further information.

Index / Revision	Alteration	Date
01 / 00	Product specification	12.11.2002
02S / 01	Sample	03.06.2002
03S / 01	Sample: $\mu > 80\,000$ @ 50Hz	17.05.2004
03 / 02	LN form; PU = 288 pcs.	16.10.2012
03 / 03	Product diameter limits revised	08.04.2014

<b>Created:</b>	Zs. Sándor 08.04.2014	<b>Approved (Techn):</b>	F. Zámboorszky 14.04.2014	<b>Approved (Quality):</b>	J. Gulyás 04.06.2014	<b>Released:</b>	F. Rauscher 04.06.2014
-----------------	--------------------------	--------------------------	------------------------------	----------------------------	-------------------------	------------------	---------------------------