

FORM F 108
Revision: 05
Page: 1/1

Product specification
for inductive components

MAGNETEC GmbH
Industriestrasse 7
D-63505 Langenselbold

Client:	MAGNETEC GmbH	Magnetec P/N:	M-203	Magnetec A/N:	12557
Client's P/N:	/	PS Index:	01	PS Revision:	01
Subject:	EMC Wandler				

1. Mechanical Outline

Nominal equivalent round core:

63,5 x 51 x 25

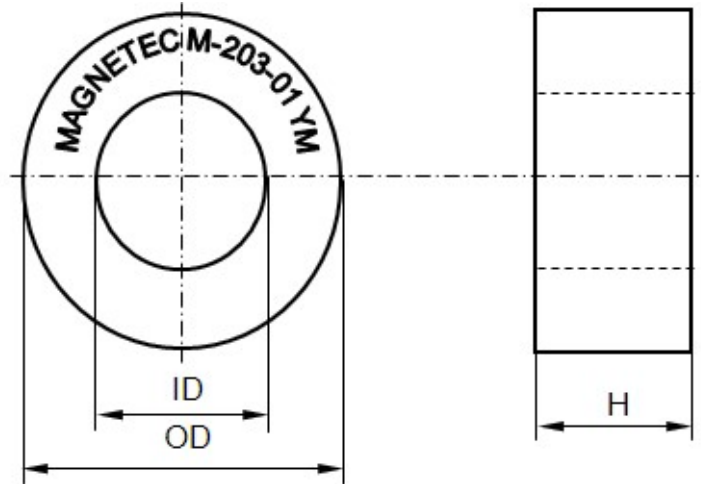
Finished product dimensions:

OD \leq 65,5

ID \geq 48,0

H \leq 27,3

[dimensions] = mm



2. Core data (nominal values)

Core material:	NANOPERM®	$L_{Fe} = 17,91 \text{ cm}$	$A_{Fe} = 1,25 \text{ cm}^2$
Permeability level:	~85 000	@ frequency 10 kHz	@ H peak 3,2 mA/cm

3. Inspection values (at room temperature, unless otherwise stated)

Measured value	Measurement limits	Frequency	leff x N [mA x turn]
AL [μ H]	45,0 - 100,0	10 kHz	40

4. Core finishing

Type:	Epoxy coated and foil bandaged
Marking:	MAGNETEC M-203-01 YM (Y = year / M = month)
Packaging:	10 pcs. per layer; 3 layers per carton box; PU = 30 pcs.

5. Comments

M-088 foil bandaged Visit http://www.magnetec.de/fileadmin/pdf/pb_ds.pdf for further information.

Index / Revision	Alteration	Date
01 / 01	Product Specification.	14.06.2011

Created:	Zs. Eperjesi 14.06.2011	Approved (Techn):	F. Zámboreszky 01.07.2011	Approved (Quality):	J. Gulyas 18.07.2011	Released:	F. Rauscher 18.07.2011
----------	----------------------------	-------------------	------------------------------	---------------------	-------------------------	-----------	---------------------------

Disclosing the specification to third parties or using its content without written permission from MAGNETEC is strictly forbidden and every offender is liable to pay the corresponding damages