

FORM F 108
Revision: 05
Page: 1/1

Product specification
for inductive components

MAGNETEC GmbH
Industriestrasse 7
D-63505 Langenselbold

Client:	MAGNETEC	Magnetec P/N:	M-336	Magnetec A/N:	12365
Client's P/N:	-	PS Index:	01	PS Revision:	02
Subject:	EMC Wandler				

1. Mechanical Outline

Nominal equivalent round core:

139,5 x 86 x 25

Finished product dimensions:

OD \leq 141,8

ID \geq 83,6

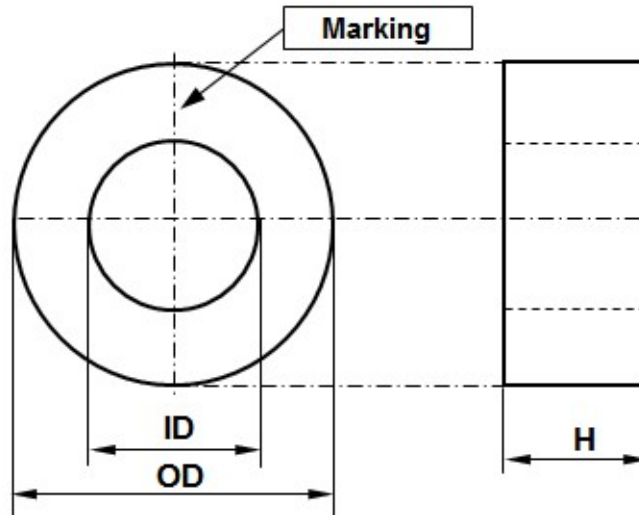
H \leq 27,5

[dimensions] = mm

OD min = 139,8

ID max = 85,6

H min = 26,5



2. Core data (nominal values)

Core material:	NANOPERM®	$L_{Fe} = 34,75 \text{ cm}$	$A_{Fe} = 4,88 \text{ cm}^2$
Permeability level:	ca. 25.000	@ frequency 10 kHz	@ H peak 3,26 mA/cm

3. Inspection values (at room temperature, unless otherwise stated)

Measured value	Measurement limits	Frequency	leff x N [mA x turn]
AL [μ H]	28,0 - 56,0	10 kHz	80,0

4. Core finishing

Type:	Epoxy coated
Marking:	MAGNETEC M-336-01 YM (YM = Year/Month), acc. to IEC 60062 6.1.1
Packaging:	1 pcs. per layer; 3 layers per carton box; PU = 3 pcs.

5. Comments

Visit http://www.magnetec.de/fileadmin/pdf/pb_ds.pdf for further information.

Index / Revision	Alteration	Date
01 / 01	Product Specification	15.06.2006
01 / 02	Packaging change	28.02.2017

Created:	Z. Palánki 28.02.2017	Approved (Techn):	F. Záborszky 22.03.2017	Approved (Quality):	G. Zsák 22.03.2017	Released:	T. Trupp 07.04.2017
----------	--------------------------	-------------------	----------------------------	---------------------	-----------------------	-----------	------------------------

Disclosing the specification to third parties or using its content without written permission from MAGNETEC is strictly forbidden and every offender is liable to pay the corresponding damages