

## Product specification for inductive components

Form: MF04.05 (F108)  
Revision: 01

<b>Client:</b>	<b>MAGNETEC</b>	<b>Magnetec P/N:</b>	<b>M-363</b>	<b>Magnetec A/N:</b>	<b>12696</b>
<b>Client's P/N:</b>	/	<b>PS Index:</b>	<b>04</b>	<b>PS Revision:</b>	<b>02</b>
<b>Subject:</b>	<b>EMC Wandler</b>				

### 1. Mechanical Outline

Nominal equivalent round core:

**6,5 x 4 x 3,5**

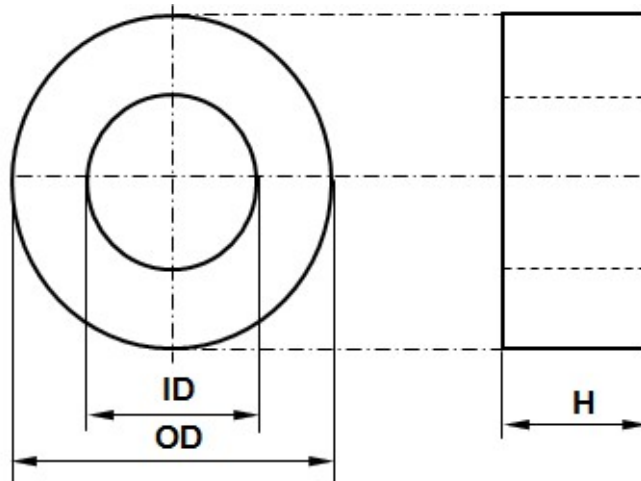
Finished product dimensions:

OD  $\leq$  7,3

ID  $\geq$  3

H  $\leq$  4,5

[dimensions] = mm



### 2. Core data (nominal values)

Core material:	<b>NANOPERM®</b>	$L_{Fe} = 1,62 \text{ cm}$	$A_{Fe} = 0,03 \text{ cm}^2$
Permeability level:	<b>80 000</b>	@ frequency <b>10 kHz</b>	@ H peak <b>3 mA/cm</b>

### 3. Inspection values (at room temperature, unless otherwise stated)

Measured value	Measurement limits	Frequency	leff x N [mA x turn]
<b>AL [<math>\mu</math>H]</b>	<b>14 - 28</b>	<b>10 kHz</b>	<b>3,5</b>
<b>AL [<math>\mu</math>H]</b>	<b>3,3 - NA</b>	<b>100 kHz</b>	<b>3,5</b>

### 4. Core finishing

Type:	<b>Epoxy coated</b>
Marking:	<b>none</b>
Packaging:	<b>128 pcs. per layer; 13 layers per carton box; PU = 1664 pcs.</b>

### 5. Comments

Visit [http://www.magnetec.de/fileadmin/pdf/pb\\_ds.pdf](http://www.magnetec.de/fileadmin/pdf/pb_ds.pdf) for further information.

Index / Revision	Alteration	Date
03 / 01	First issue	04.08.2014
04 / 02	Dimension and permeability change	27.02.2015

<b>Created:</b>	Z. Palánki 27.02.2015	<b>Approved (Techn):</b>	F. Zámbořszky 09.03.2015	<b>Approved (Quality):</b>	J. Gulyás 09.03.2015	<b>Released:</b>	T. Trupp 09.03.2015
-----------------	--------------------------	--------------------------	-----------------------------	----------------------------	-------------------------	------------------	------------------------

Disclosing the specification to third parties or using its content without written permission from MAGNETEC is strictly forbidden and every offender is liable to pay the corresponding damages