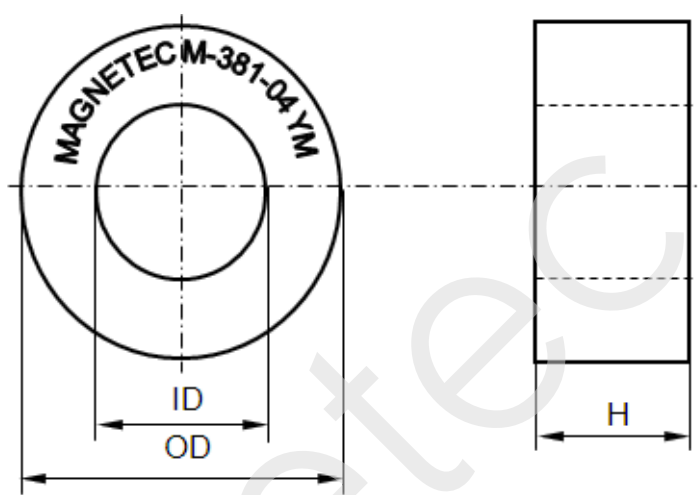


CONFIDENTIAL - Reproduction, publication and dissemination of this publication, enclosures hereto and the information contained therein is prohibited without MAGNETEC's prior written consent.

Client:	MAGNETEC GmbH	Magnetec P/N:	M-381		
Client's P/N:	/	PS Index:	04	PS Revision:	05
Subject:	EMC Wandler				

1. Mechanical Outline	
Nominal equivalent round core: 40 x 32 x 15 Finished product dimensions: OD ≤ 43,1 ID ≥ 28,8 H ≤ 17,4 [dimensions] = mm	

2. Core data (nominal values)			
Core material:	NANOPERM®	$L_{Fe} = 11,26 \text{ cm}$	$A_{Fe} = 0,47 \text{ cm}^2$
Permeability level:	90 000	@ frequency 10 kHz	@ H peak 3,14 mA/cm

3. Inspection values (at room temperature, unless otherwise stated)			
Measured value	Measurement limits	Frequency	$I_{eff} \times N$ [mA x turn]
AL1 [μH]	33,0 - 66,0	10 kHz	25
AL2 [μH]	8,4 - 15,6	100 kHz	25

4. Core finishing	
Type:	Cased
Marking:	MAGNETEC M-381-04 YM (YM = Year/Month), acc. to IEC 60062 6.1.1
Packaging:	24 pcs. per layer; 5 layers per carton box; PU = 120 pcs.

5. Comments	
Visit http://www.magnetec.de/fileadmin/pdf/pb_ds.pdf for further information.	

Index / Revision	Alteration	Date
01 / 01	Product Specification	08.02.2006
02 / 02	Cased version	21.03.2006
03 / 03	Improved DC behaviour	17.05.2006
04 / 04	Case material Ultramid; Case height ≤ 17,5 mm, 100 kHz value	28.03.2011
04 / 05	Nominal permeability is 90 000, 10kHz upper limit is 66μH	04.08.2014

Created:	Z. Palánki 04.08.2014	Approved (Techn):	F. Zámbořszky 08.08.2014	Approved (Quality):	J. Gulyás 08.08.2014	Released:	T. Trupp 08.08.2014
-----------------	--------------------------	--------------------------	-----------------------------	----------------------------	-------------------------	------------------	------------------------

CONFIDENTIAL - Reproduction, publication and dissemination of this publication, enclosures hereto and the information contained therein is prohibited without MAGNETEC's prior written consent. Disclosing the specification to third parties or using its content without written permission from MAGNETEC is strictly forbidden and every offender is liable to pay the corresponding damages.