

Product specification for inductive components

Form: MF04.05 (F108)
Revision: 01

Client:	MAGNETEC GmbH	Magnetec P/N:	M-433	Magnetec A/N:	12449
Client's P/N:	/	PS Index:	01	PS Revision:	03
Subject:	CT WANDLER				

1. Mechanical Outline

Nominal equivalent round core:

35,5 x 30,5 x 6

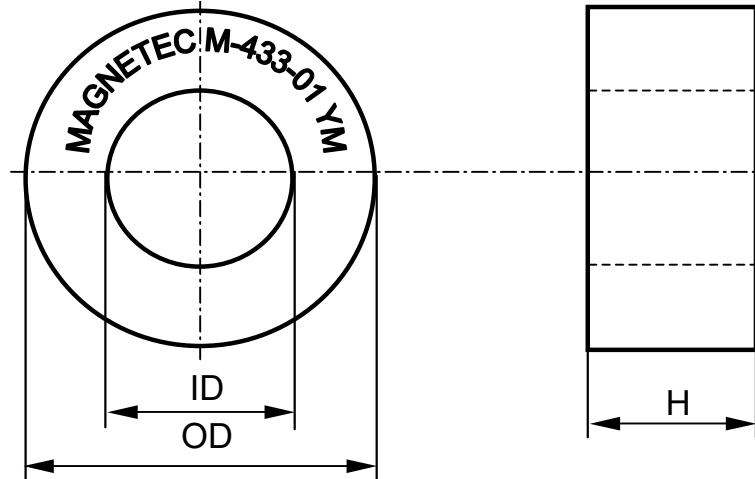
Finished product dimensions:

OD \leq **37,8**

ID \geq **28,7**

H \leq **8,0**

[dimensions] = mm



2. Core data (nominal values)

Core material:	NANOPERM®	$L_{Fe} =$ 10,35 cm	$A_{Fe} =$ 0,12 cm²
Permeability level:	1.600	@ frequency 1 kHz	@ H peak 25 mA/cm

3. Inspection values (at room temperature, unless otherwise stated)

Measured value	Measurement limits	Frequency	$I_{eff} \times N$ [mA x turn]
AL [nH]	201 - 236	1 kHz	183

4. Core finishing

Type:	Cased
Marking:	MAGNETEC M-433-01 YM
Packaging:	24 pcs. per layer; 9 layers per carton box; PU = 216 pcs.

5. Comments

5 % measurement deviation has to be considered.

Visit http://www.magnetec.de/fileadmin/pdf/pb_ds.pdf for further information.

Index / Revision	Alteration	Date
01 / 01	Product Specification	14.04.2008
01 / 02	Add one sentence to the comments	31.01.2019
01 / 03	Change permeability value, inspection values changed	14.10.2019

Created:	Z. Braxátor 14.10.2019	Approved (Techn):	F. Záborszky 23.06.2020	Approved (Quality):	G. Zsák 15.10.2019	Released:	D. Tóth 28.08.2020
-----------------	---------------------------	--------------------------	----------------------------	----------------------------	-----------------------	------------------	-----------------------