

FORM F 108
Revision: 05
Page: 1/1

Product specification
for inductive components

MAGNETEC GmbH
Industriestrasse 7
D-63505 Langenselbold

Client:	MAGNETEC GmbH	Magnetec P/N:	M-474	Magnetec A/N:	12395
Client's P/N:	/	PS Index:	03	PS Revision:	04
Subject:	EMC Wandler				

1. Mechanical Outline

Nominal equivalent round core:

40 x 32 x 15

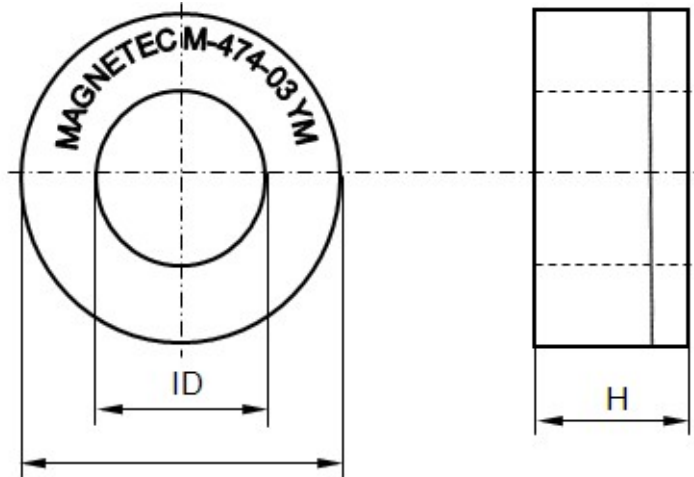
Finished product dimensions:

OD \leq 43,1

ID \geq 28,8

H \leq 17,5

[dimensions] = mm



2. Core data (nominal values)

Core material:	NANOPERM®	$L_{Fe} = 11,26$ cm	$A_{Fe} = 0,48$ cm ²
Permeability level:	~20.000	@ frequency 100 kHz	@ H peak 3,14 mA/cm

3. Inspection values (at room temperature, unless otherwise stated)

Measured value	Measurement limits	Frequency	leff x N [mA x turn]
AL [μ H]	7,0 - 11,5	100 kHz	25

4. Core finishing

Type:	Impregnated and cased
Marking:	MAGNETEC M-474-03 YM (Y = year / M = month)
Packaging:	24 pcs. per layer; 5 layers per carton box; PU = 120 pcs.

5. Comments

Visit http://www.magnetec.de/fileadmin/pdf/pb_ds.pdf for further information.

Index / Revision	Alteration	Date
01 / 01	Product Specification	20.06.2007
02 / 02	Impregnated + cased core	05.02.2009
03 / 03	Case material Ultramid; Case height \leq 17,4 mm	07.04.2011
03 / 04	Harmonization of part and finished product dimensions	17.01.2020

Created:	Z. Braxátor	Approved (Techn):	F. Záborszky	Approved (Quality):	G. Zsák	Released:	B. Kessler
	17.01.2020		17.01.2020		17.01.2020		17.01.2020

Disclosing the specification to third parties or using its content without written permission from MAGNETEC is strictly forbidden and every offender is liable to pay the corresponding damages