

## Product specification for inductive components

Form: MF04.05 (F108)  
Revision: 01

<b>Client:</b>	<b>MAGNETEC</b>	<b>Magnetec P/N:</b>	<b>M-617</b>	<b>Magnetec A/N:</b>	<b>12661</b>
<b>Client's P/N:</b>	/	<b>PS Index:</b>	<b>02</b>	<b>PS Revision:</b>	<b>01</b>
<b>Subject:</b>	<b>EMC Wandler</b>				

### 1. Mechanical Outline

Nominal equivalent round core:

**200 x 175 x 30**

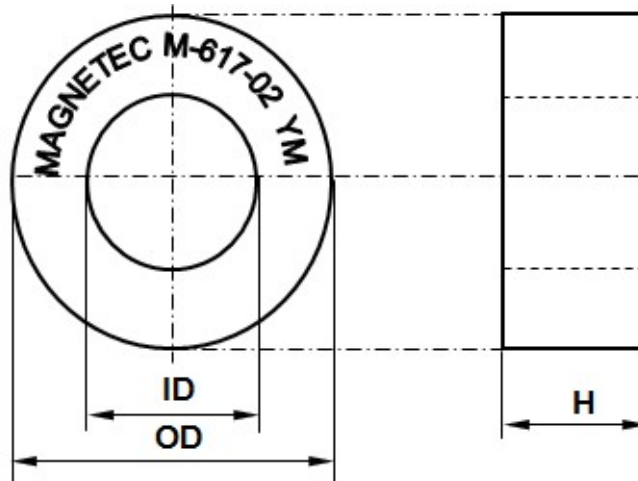
Finished product dimensions:

OD  $\leq$  208,0

ID  $\geq$  166,0

H  $\leq$  37,0

[dimensions] = mm



### 2. Core data (nominal values)

Core material:	<b>NANOPERM®</b>	$L_{Fe} = 58,82 \text{ cm}$	$A_{Fe} = 2,74 \text{ cm}^2$
Permeability level:	<b>60 000</b>	@ frequency <b>10 kHz</b>	@ H peak <b>3,13 mA/cm</b>

### 3. Inspection values (at room temperature, unless otherwise stated)

Measured value	Measurement limits	Frequency	leff x N [mA x turn]
<b>AL [<math>\mu</math>H]</b>	<b>24,9 - 49,8</b>	<b>10 kHz</b>	<b>130</b>
<b>AL [<math>\mu</math>H]</b>	<b>8,5 - NA</b>	<b>100 kHz</b>	<b>130</b>

### 4. Core finishing

Type:	<b>Cased</b>
Marking:	<b>MAGNETEC M-617-02 YM (YM = Year/Month), acc. to IEC 62 5.1</b>
Packaging:	<b>1 pcs. per layer; 2 layers per carton box; PU = 2 pcs.</b>

### 5. Comments

Visit [http://www.magnetec.de/fileadmin/pdf/pb\\_ds.pdf](http://www.magnetec.de/fileadmin/pdf/pb_ds.pdf) for further information.

Index / Revision	Alteration	Date
02 / 01	First issue	12.12.2013

<b>Created:</b>	Z. Palánki 12.12.2013	<b>Approved (Techn):</b>	F. Zámbořský 06.01.2014	<b>Approved (Quality):</b>	J. Gulyás 06.01.2014	<b>Released:</b>	T. Trupp 06.01.2014
-----------------	--------------------------	--------------------------	----------------------------	----------------------------	-------------------------	------------------	------------------------

Disclosing the specification to third parties or using its content without written permission from MAGNETEC is strictly forbidden and every offender is liable to pay the corresponding damages