

FORM F 108
Revision: 05
Page: 1/1

Product specification
for inductive components

MAGNETEC GmbH
Industriestrasse 7
D-63505 Langenselbold

Client:	MAGNETEC GmbH	Magnetec P/N:	M-671	Magnetec A/N:	12526
Client's P/N:	/	PS Index:	02	PS Revision:	03
Subject:	EMC Wandler				

1. Mechanical Outline

Nominal equivalent round core:

40 x 32 x 15

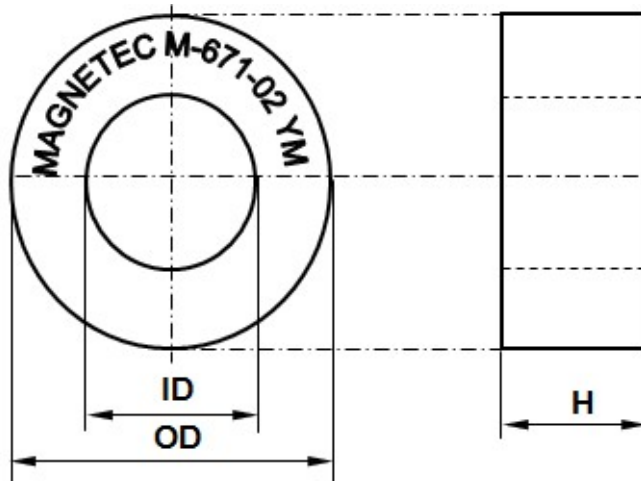
Finished product dimensions:

OD ≤ 43,1

ID ≥ 28,8

H ≤ 17,5

[dimensions] = mm



2. Core data (nominal values)

Core material:	NANOPERM®	$L_{Fe} = 11,26 \text{ cm}$	$A_{Fe} = 0,45 \text{ cm}^2$
Permeability level:		@ frequency	@ H peak
	2 000	10 kHz	3 mA/cm
	2 000	100 kHz	3 mA/cm

3. Inspection values (at room temperature, unless otherwise stated)

Measured value	Measurement limits	Frequency	$l_{eff} \times N$ [mA x turn]
AL1 [μH]	0,71 - 1,40	10 kHz	24
AL2 [μH]	0,71 - 1,40	100 kHz	24

4. Core finishing

Type:	Cased
Marking:	MAGNETEC M-671-02 YM
Packaging:	24 pcs. per layer; 5 layers per carton box; PU = 120 pcs.

5. Comments

Visit http://www.magnetec.de/fileadmin/pdf/pb_ds.pdf for further information.

Index / Revision	Alteration	Date
01 / 01	Product Specification	27.08.2010
02 / 02	Case material Ultramid; Case height ≤ 17,4 mm and outer diameter ≤ 43,1 mm	02.05.2011
02 / 03	Harmonization of part and finished product dimensions	17.01.2020

Created:	Z. Braxátor	Approved (Techn):	F. Záborszky	Approved (Quality):	G. Zsák	Released:	B. Kessler
	17.01.2020		17.01.2020		17.01.2020		17.01.2020

Disclosing the specification to third parties or using its content without written permission from MAGNETEC is strictly forbidden and every offender is liable to pay the corresponding damages