

## Product specification for inductive components

Form: MF04.05 (F108)  
Revision: 01

<b>Client:</b>	<b>MAGNETEC</b>	<b>Magnetec P/N:</b>	<b>M-724</b>	<b>Magnetec A/N:</b>	<b>53186</b>
<b>Client's P/N:</b>	<b>M-724</b>	<b>PS Index:</b>	<b>01</b>	<b>PS Revision:</b>	<b>01</b>
<b>Subject:</b>	<b>CT Wandler</b>				

### 1. Mechanical Outline

Nominal equivalent round core:

**18,7 x 12,3 x 5,0**

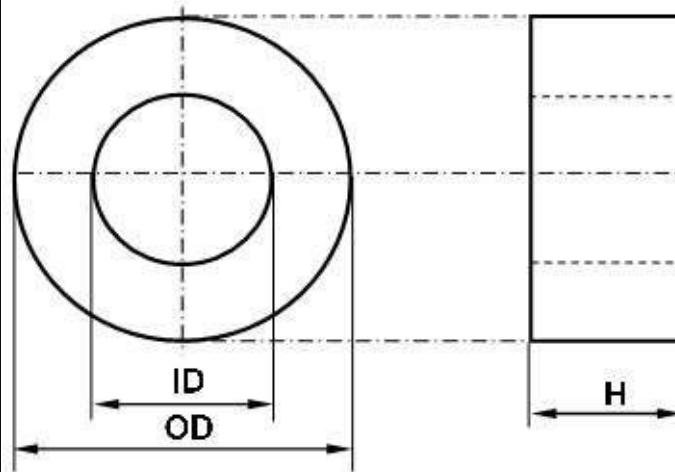
Finished product dimensions:

OD  $\leq$  19,7

ID  $\geq$  11,3

H  $\leq$  6

[dimensions] = mm



### 2. Core data (nominal values)

Core material:	<b>NANOPERM®</b>	$L_{Fe} = 4,8 \text{ cm}$	$A_{Fe} = 0,12 \text{ cm}^2$
Permeability level:	$\sim 110000$	@ frequency <b>50 Hz</b>	@ H peak <b>2,3 mA/cm</b>

### 3. Inspection values (at room temperature, unless otherwise stated)

Measured value	Measurement limits	Frequency	leff x N [mA x turn]
<b>AL [<math>\mu</math>H]</b>	<b>23 - 46</b>	<b>120 Hz</b>	<b>8</b>

### 4. Core finishing

Type:	<b>Epoxy coated</b>
Marking:	<b>None</b>
Packaging:	<b>- pcs. per layer; - layers per carton box; PU = - pcs.</b>

### 5. Comments

Visit [http://www.magnetec.de/fileadmin/pdf/pb\\_ds.pdf](http://www.magnetec.de/fileadmin/pdf/pb_ds.pdf) for further information.

Index / Revision	Alteration	Date
01 / 01	First issue	23.09.2015

<b>Created:</b>	D. Tóth 23.09.2015	<b>Approved (Techn):</b>	Z. Makovinyi 28.09.2015	<b>Approved (Quality):</b>	J. Gulyás 28.09.2015	<b>Released:</b>	F. Zámboreszky 28.09.2015
-----------------	-----------------------	--------------------------	----------------------------	----------------------------	-------------------------	------------------	------------------------------

Disclosing the specification to third parties or using its content without written permission from MAGNETEC is strictly forbidden and every offender is liable to pay the corresponding damages