

Product specification for inductive components

Form: MF04.05 (F108)
Revision: 01

Client:	MAGNETEC	Magnetec P/N:	M-727	Magnetec A/N:	12655
Client's P/N:	/	PS Index:	02	PS Revision:	02
Subject:	CT Wandler				

1. Mechanical Outline

Nominal equivalent round core:

50 x 40 x 20

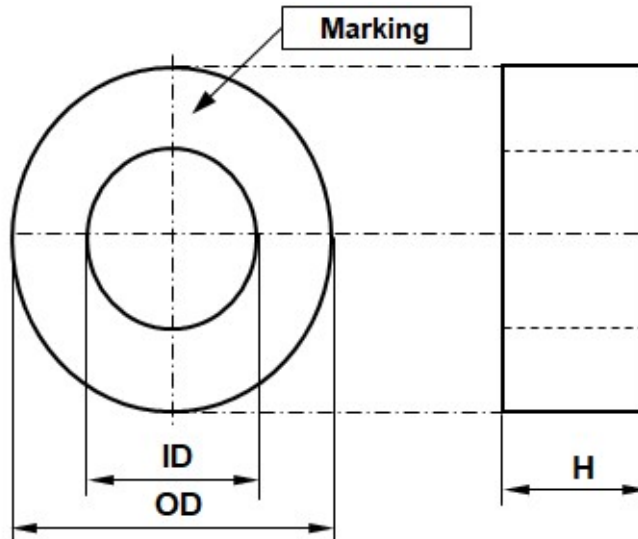
Finished product dimensions:

OD ≤ **53,4**

ID ≥ **36,6**

H ≤ **23,5**

[dimensions] = mm



2. Core data (nominal values)

Core material:	NANOPERM®	$L_{Fe} = 13,87 \text{ cm}$	$A_{Fe} = 0,68 \text{ cm}^2$
Permeability level:		@ frequency	@ H peak
	ca. 180 000	50 Hz	3 mA/cm

3. Inspection values (at room temperature, unless otherwise stated)

Measured value	Measurement limits	Frequency	leff x N [mA x turn]
AL1 [μH]	88 - 132	50 Hz	30

4. Core finishing

Type:	Cased
Marking:	MAGNETEC M-727-02 YM (YM = Year/Month), acc. to IEC 62 5.1
Packaging:	15 pcs. per layer; 4 layers per carton box; PU = 60 pcs.

5. Comments

Visit http://www.magnetec.de/fileadmin/pdf/pb_ds.pdf for further information.

Index / Revision	Alteration	Date
01 / 01	Product Specification	05.09.2013
02 / 02	Case change	12.11.2018

Created:	J. Tófik 12.11.2018	Approved (Techn):	F. Zámbořský 31.01.2019	Approved (Quality):	R. Montvai 13.11.2018	Released:	P. Seiz 15.03.2019
-----------------	------------------------	--------------------------	----------------------------	----------------------------	--------------------------	------------------	-----------------------

Disclosing the specification to third parties or using its content without written permission from MAGNETEC is strictly forbidden and every offender is liable to pay the corresponding damages