

FORM F 108
Revision: 05
Page: 1/1

Product specification
for inductive components

MAGNETEC GmbH
Industriestrasse 7
D-63505 Langenselbold

Client:	MAGNETEC GmbH	Magnetec P/N:	M-734	Magnetec A/N:	12502
Client's P/N:	/	PS Index:	01	PS Revision:	01
Subject:	EMC Wandler				

1. Mechanical Outline

Nominal equivalent round core:

100 x 80 x 30

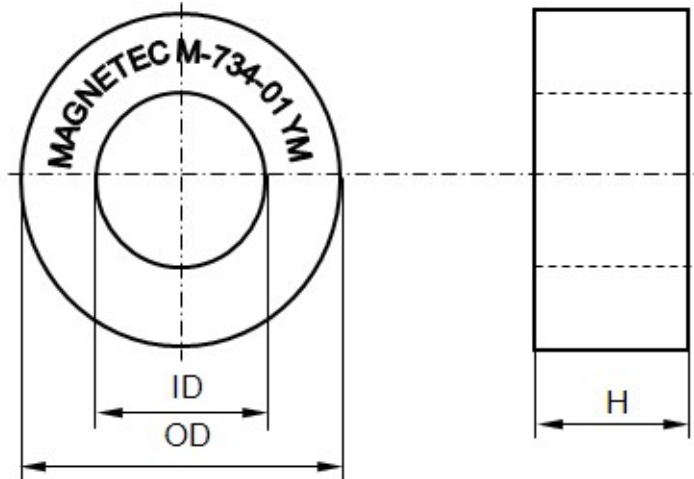
Finished product dimensions:

OD \leq 105,0

ID \geq 75,0

H \leq 35,0

[dimensions] = mm



2. Core data (nominal values)

Core material:	NANOPERM®	$L_{Fe} = 27,73 \text{ cm}$	$A_{Fe} = 2,11 \text{ cm}^2$
Permeability level:	30.000	@ frequency 10 kHz	@ H peak 3,0 mA/cm

3. Inspection values (at room temperature, unless otherwise stated)

Measured value	Measurement limits	Frequency	leff x N [mA x turn]
AL [μ H]	22,5 - 45,0	10 kHz	60

4. Core finishing

Type:	Epoxy coated
Marking:	MAGNETEC M-734- 01 YM (Y = year / M = month)
Packaging:	4 pcs. per layer; 2 layers per carton box; PU = 8 pcs.

5. Comments

Visit http://www.magnetec.de/fileadmin/pdf/pb_ds.pdf for further information.

Index / Revision	Alteration	Date
01 / 01	Product Specification	08.01.2010

Created:	Á. Kovách 29.01.2010	Approved (Techn):	F. Záborszky 29.01.2010	Approved (Quality):	V. Kaposztas 29.01.2010	Released:	F. Rauscher 29.01.2010
----------	-------------------------	-------------------	----------------------------	---------------------	----------------------------	-----------	---------------------------

Disclosing the specification to third parties or using its content without written permission from MAGNETEC is strictly forbidden and every offender is liable to pay the corresponding damages