

FORM F 108
Revision: 05
Page: 1/1

Product specification
for inductive components

MAGNETEC GmbH
Industriestrasse 7
D-63505 Langenselbold

Client:	MAGNETEC GmbH	Magnetec P/N:	M-735	Magnetec A/N:	12503
Client's P/N:	/	PS Index:	01	PS Revision:	01
Subject:	EMC Wandler				

1. Mechanical Outline

Nominal equivalent round core:

130 x 100 x 30

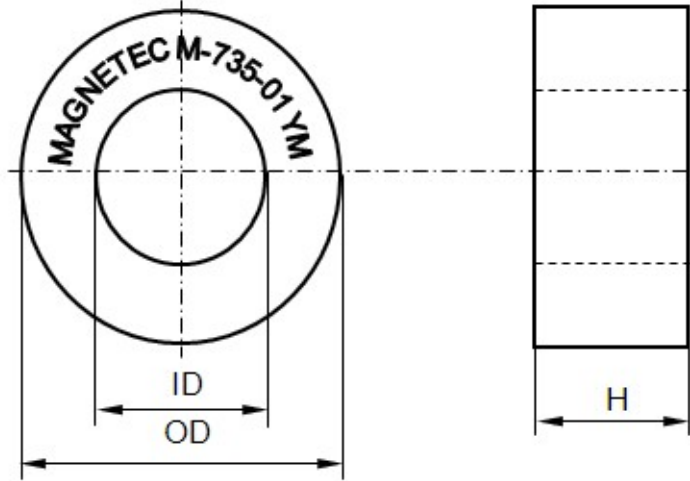
Finished product dimensions:

OD \leq 135,0

ID \geq 94,0

H \leq 34,0

[dimensions] = mm



2. Core data (nominal values)

Core material:	NANOPERM®	$L_{Fe} = 35,92 \text{ cm}$	$A_{Fe} = 3,3 \text{ cm}^2$
Permeability level:	~30.000	@ frequency 10 kHz	@ H peak 3,1 mA/cm

3. Inspection values (at room temperature, unless otherwise stated)

Measured value	Measurement limits	Frequency	leff x N [mA x turn]
AL [μ H]	24,6 - 52,9	10 kHz	80

4. Core finishing

Type:	Epoxy coated
Marking:	MAGNETEC M-735-01 YM (Y = year / M = month)
Packaging:	2 pcs. per layer; 3 layers per carton box; PU = 6 pcs.

5. Comments

Visit http://www.magnetec.de/fileadmin/pdf/pb_ds.pdf for further information.

Index / Revision	Alteration	Date
01 / 01	Product Specification	08.01.2010

Created:	Á. Kovách 08.01.2010	Approved (Techn):	F. Záborszky 08.01.2010	Approved (Quality):	V. Kaposztas 08.01.2010	Released:	F. Rauscher 08.01.2010
----------	-------------------------	-------------------	----------------------------	---------------------	----------------------------	-----------	---------------------------

Disclosing the specification to third parties or using its content without written permission from MAGNETEC is strictly forbidden and every offender is liable to pay the corresponding damages