



Product specification for inductive components

Form: MF04.05 (F108)
Revision: 01

Client:	MAGNETEC	Magnetec P/N:	M-756	Magnetec A/N:	12641
Client's P/N:	/	PS Index:	01	PS Revision:	02
Subject:	CT Wandler				

1. Mechanical Outline

Nominal equivalent round core:

12,4 x 10,1 x 5

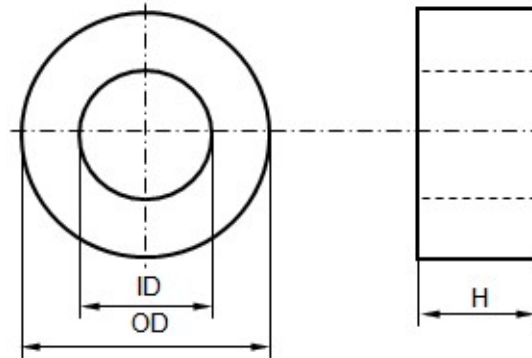
Finished product dimensions:

OD \leq **14,2**

ID \geq **8,3**

H \leq **7,2**

[dimensions] = mm



2. Core data (nominal values)

Core material:	NANOPERM®	$L_{Fe} = 3,52 \text{ cm}$	$A_{Fe} = 0,045 \text{ cm}^2$
Permeability level:	ca. 90 000	@ frequency 100 Hz	@ H peak 4 mA/cm

3. Inspection values (at room temperature, unless otherwise stated)

Measured value	Measurement limits	Frequency	$l_{eff} \times N$ [mA x turn]
AL [μH]	9,5 - 19,0	100 Hz	10,0

4. Core finishing

Type:	Cased
Marking:	None
Packaging:	110 pcs. per layer; 10 layers per carton box; PU = 1100 pcs.

5. Comments

Visit http://www.magnetec.de/fileadmin/pdf/pb_ds.pdf for further information.

Index / Revision	Alteration	Date
01 / 01	Product Specification	04.03.2013
01 / 02	Core size increased	13.02.2015

Created:	D. Tóth 13.02.2015	Approved (Techn):	F. Zámbořský 19.02.2015	Approved (Quality):	J. Gulyás 19.02.2015	Released:	H. Doenges 19.02.2015
-----------------	-----------------------	--------------------------	----------------------------	----------------------------	-------------------------	------------------	--------------------------

Disclosing the specification to third parties or using its content without written permission from MAGNETEC is strictly forbidden and every offender is liable to pay the corresponding damages