



## Product specification for inductive components

Form: MF04.05 (F108)  
Revision: 01

<b>Client:</b>	<b>MAGNETEC</b>	<b>Magnetec P/N:</b>	<b>M-757</b>	<b>Magnetec A/N:</b>	<b>12607</b>
<b>Client's P/N:</b>	/	<b>PS Index:</b>	<b>01</b>	<b>PS Revision:</b>	<b>01</b>
<b>Subject:</b>	<b>CT Wandler</b>				

### 1. Mechanical Outline

Nominal equivalent round core:

**17,5 x 12,5 x 6**

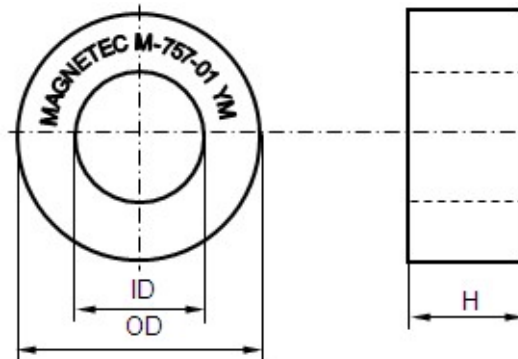
Finished product dimensions:

OD  $\leq$  **19,6**

ID  $\geq$  **10,1**

H  $\leq$  **8,6**

[dimensions] = mm



### 2. Core data (nominal values)

Core material:	<b>NANOPERM®</b>	$L_{Fe} = 4,60 \text{ cm}$	$A_{Fe} = 0,11 \text{ cm}^2$
Permeability level:	<b>ca. 85 000</b>	@ frequency <b>50 Hz</b>	@ H peak <b>4 mA/cm</b>

### 3. Inspection values (at room temperature, unless otherwise stated)

Measured value	Measurement limits	Frequency	leff x N [mA x turn]
<b>AL [<math>\mu</math>H]</b>	<b>18 - 36</b>	<b>50 Hz</b>	<b>13,0</b>

### 4. Core finishing

Type:	<b>Cased</b>
Marking:	<b>MAGNETEC M-757-01 YM (YM = Year/Month), acc. to IEC 62 5.1</b>
Packaging:	<b>110 pcs. per layer; 8 layers per carton box; PU = 880 pcs.</b>

### 5. Comments

Visit [http://www.magnetec.de/fileadmin/pdf/pb\\_ds.pdf](http://www.magnetec.de/fileadmin/pdf/pb_ds.pdf) for further information.

Index / Revision	Alteration	Date
01 / 01	Product specification	18.05.2012

<b>Created:</b>	Zs. Sándor 18.05.2012	<b>Approved (Techn):</b>	F. Zámboreszky 18.05.2012	<b>Approved (Quality):</b>	J. Gulyás 18.05.2012	<b>Released:</b>	H. Doenges 18.05.2012
-----------------	--------------------------	--------------------------	------------------------------	----------------------------	-------------------------	------------------	--------------------------

Disclosing the specification to third parties or using its content without written permission from MAGNETEC is strictly forbidden and every offender is liable to pay the corresponding damages