

FORM F 108
Revision: 05
Page: 1/1

**Product specification
for inductive components**

MAGNETEC GmbH
Industriestrasse 7
D-63505 Langenselbold

Client:	MAGNETEC GmbH	Magnetec P/N:	M-762	Magnetec A/N:	12838
Client's P/N:	/	PS Index:	01	PS Revision:	01
Subject:	EMC Wandler				

1. Mechanical Outline

Nominal equivalent round core:

45 x 30 x 20

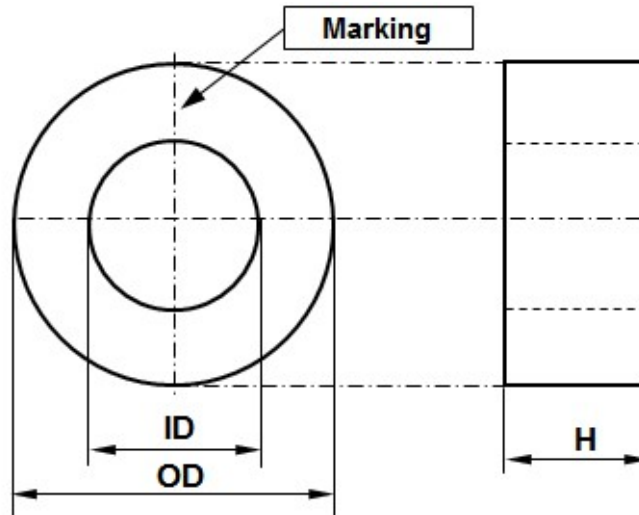
Finished product dimensions:

OD \leq **48,5**

ID \geq **25,5**

H \leq **23,5**

[dimensions] = mm



2. Core data (nominal values)

Core material:	NANOPERM®	$L_{Fe} = 11,6 \text{ cm}$	$A_{Fe} = 1,1 \text{ cm}^2$
Permeability level:	4 000	@ frequency 10 kHz	@ H peak 3 mA/cm

3. Inspection values (at room temperature, unless otherwise stated)

Measured value	Measurement limits	Frequency	leff x N [mA x turn]
AL [μH]	3.33 - 6,64	10 kHz	24,5
AL [μH]	3.33 - NA	100 kHz	24,5

4. Core finishing

Type:	Cased
Marking:	MAGNETEC M-762-01 YM (YM = Year/Month), acc. to IEC 60062 6.1.1
Packaging:	15 pcs. per layer; 4 layers per carton box; PU = 60 pcs.

5. Comments

Visit http://www.magnetec.de/fileadmin/pdf/pb_ds.pdf for further information.

Index / Revision	Alteration	Date
01 / 01	First issue	22.05.2017

Created:	Z. Palánki 22.05.2017	Approved (Techn):	F. Záborszky 30.05.2017	Approved (Quality):	G. Zsák 30.05.2017	Released:	P. Seiz 31.05.2017
-----------------	--------------------------	--------------------------	----------------------------	----------------------------	-----------------------	------------------	-----------------------

Disclosing the specification to third parties or using its content without written permission from MAGNETEC is strictly forbidden and every offender is liable to pay the corresponding damages