

Product specification for inductive components

Form: MF04.05 (F108)
Revision: 01

Client:	MAGNETEC GmbH	Magnetec P/N:	M-776	Magnetec A/N:	12646
Client's P/N:	/	PS Index:	01	PS Revision:	02
Subject:	CT Wandler				

1. Mechanical Outline

Nominal equivalent round core:

32 x 26 x 6

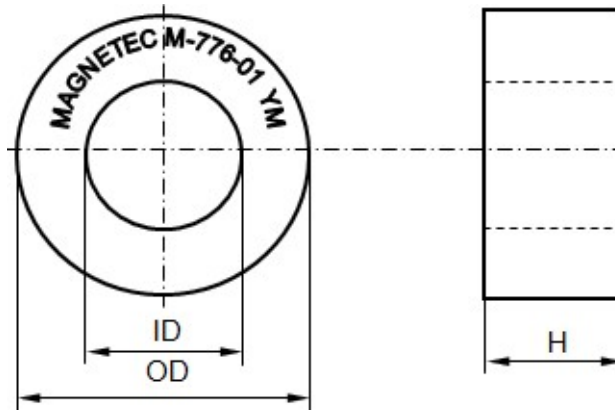
Finished product dimensions:

OD ≤ **34,0**

ID ≥ **23,4**

H ≤ **8,4**

[dimensions] = mm



2. Core data (nominal values)

Core material:	NANOPERM®	$L_{Fe} = 8,97 \text{ cm}$	$A_{Fe} = 0,14 \text{ cm}^2$
Permeability level:	> 100.000	@ frequency 1 kHz	@ H peak 20,5 mA/cm
	> 75.000	10 kHz	

3. Inspection values (at room temperature, unless otherwise stated)

Measured value	Measurement limits	Frequency	leff x N [mA x turn]
AL1 [μH]	25 - NA	1 kHz	180
AL2 [μH]	19 - NA	10 kHz	

4. Core finishing

Type:	Cased
Marking:	MAGNETEC M-776-01 YM (Y = year / M = month)
Packaging:	35 pcs. per layer; 8 layers per carton box; PU = 280 pcs.

5. Comments

Operating ambient temperature: -40°C ... +85°C Visit http://www.magnetec.de/fileadmin/pdf/pb_ds.pdf for further information.

Index / Revision	Alteration	Date
01 / 01	Product Specification	21.05.2013
01 / 02	Harmonization of part and finished product dimensions	15.01.2020

Created:	Z. Braxátor 15.01.2020	Approved (Techn):	F. Záborszky 15.01.2020	Approved (Quality):	G. Zsák 15.01.2020	Released:	D. Tóth 15.01.2020
-----------------	---------------------------	--------------------------	----------------------------	----------------------------	-----------------------	------------------	-----------------------

Disclosing the specification to third parties or using its content without written permission from MAGNETEC is strictly forbidden and every offender is liable to pay the corresponding damages