

FORM F 108
Revision: 05
Page: 1/1

Product specification
for inductive components

MAGNETEC GmbH
Industriestrasse 7
D-63505 Langenselbold

Client:	MAGNETEC GmbH	Magnetec P/N:	M-807	Magnetec A/N:	12546
Client's P/N:	/	PS Index:	03	PS Revision:	02
Subject:	EMC Wandler				

1. Mechanical Outline

Nominal equivalent round core:

45 x 30 x 20

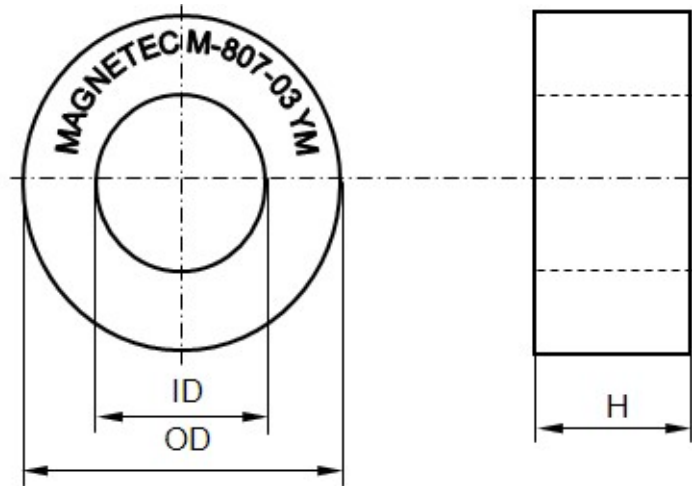
Finished product dimensions:

OD \leq 47,5

ID \geq 28,0

H \leq 22,2

[dimensions] = mm



2. Core data (nominal values)

Core material:	NANOPERM®	$L_{Fe} = 11,8 \text{ cm}$	$A_{Fe} = 1,2 \text{ cm}^2$
Permeability level:	~70 000	@ frequency 10 kHz	@ H peak 3,6 mA/cm

3. Inspection values (at room temperature, unless otherwise stated)

Measured value	Measurement limits	Frequency	leff x N [mA x turn]
AL [μ H]	64 - 120	10 kHz	30

4. Core finishing

Type:	Epoxy coated
Marking:	MAGNETEC M-807-03 YM (Y = year / M = month)
Packaging:	15 pcs. per layer; 4 layers per carton box; PU = 60 pcs.

5. Comments

Visit http://www.magnetec.de/fileadmin/pdf/pb_ds.pdf for further information.

Index / Revision	Alteration	Date
01 / 01	Product Specification	03.03.2011
02 / 01S	Sample: μ ca. 55.000 and improved high frequency behaviour	03.03.2011
03 / 02	μ ca. 70.000	12.07.2011

Created:	Zs. Eperjesi 12.07.2011	Approved (Techn):	Zs. Sandor 19.07.2011	Approved (Quality):	J. Gulyas 19.07.2011	Released:	F. Rauscher 19.07.2011
----------	----------------------------	-------------------	--------------------------	---------------------	-------------------------	-----------	---------------------------

Disclosing the specification to third parties or using its content without written permission from MAGNETEC is strictly forbidden and every offender is liable to pay the corresponding damages